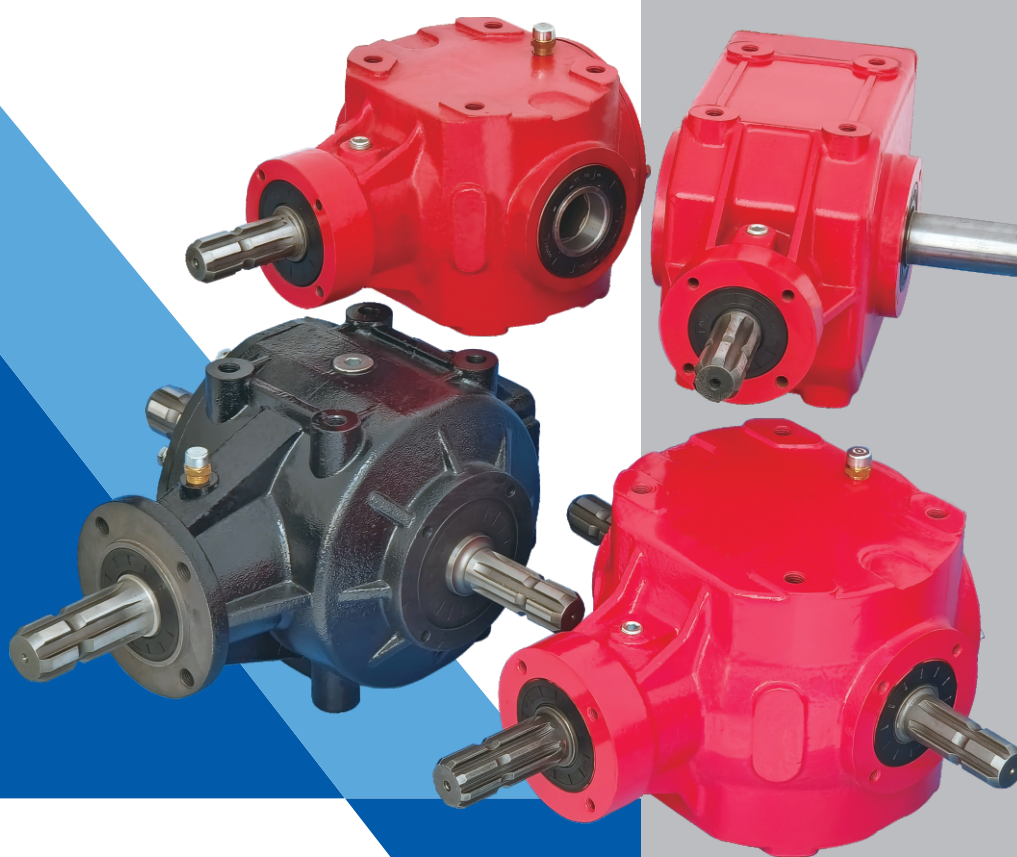


GEARBOXES



Selection Guide



杭州凯临钒传动科技有限公司
Hangzhou Kadiva Transmission Technology Co.,LTD.

Company Profile

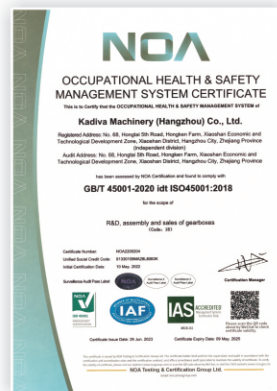
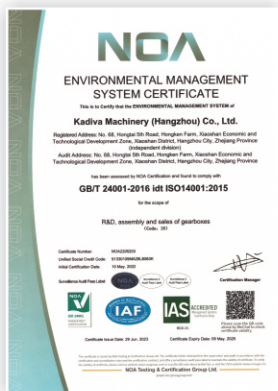
Hangzhou Kadiva Transmission Technology Co., LTD. is an enterprise specializing in the distribution of speed reducers, gearboxes, and various transmission components. With a strong focus on international markets, our products are sourced from Kadiva Machinery (Hangzhou) Co., LTD. Our company is conveniently located in Xiaoshan economic and technological development zone, Hangzhou, Zhejiang Province, China, just 10 minutes away from the airport and 30 minutes from the railway station. This strategic location ensures easy transportation for our valued customers.

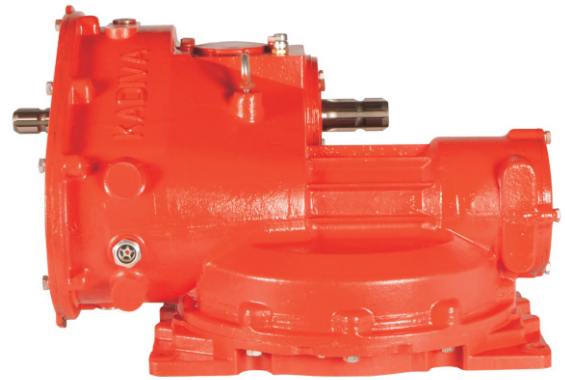
At Hangzhou Kadiva Transmission Technology Co., LTD., our success is driven by our highly skilled technology research and development team, coupled with exceptional management personnel. This synergy has resulted in the acquisition of multiple invention patents, establishing us as pioneers in China's transmission industry. We take great pride in being awarded ISO9001 quality system certification, which reflects our commitment to maintaining the highest standards of quality in our products and services.

Recognized for our excellence and contribution to the industry, we have been honored with prestigious titles such as Zhejiang Province's specialized new small and medium-sized enterprise, a state-level scientific and technological small and medium-sized enterprise, and a national high-tech enterprise. These accolades further reaffirm the dedication and expertise of our team in delivering innovative solutions to our customers. The company has always been committed to the development and sales of high-end gearboxes. Our products are exported to North America, Europe, Southeast Asia and other countries, providing complete technical support and new product development programs for customers in the industry, receiving a wide range of praise from customers. Meanwhile, we have also become an honored supplier and strategic partner of many companies domestically and internationally.

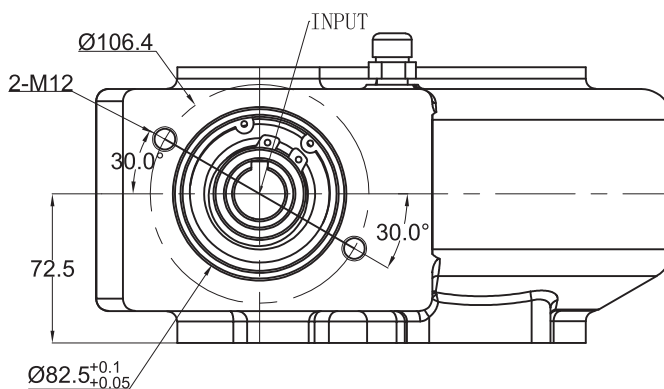
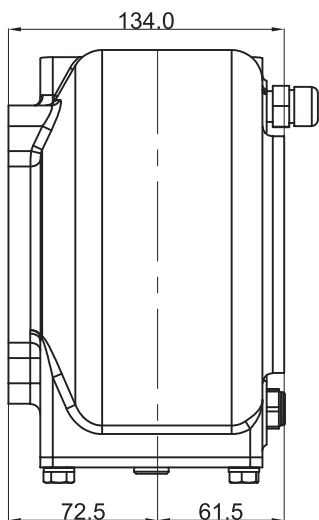
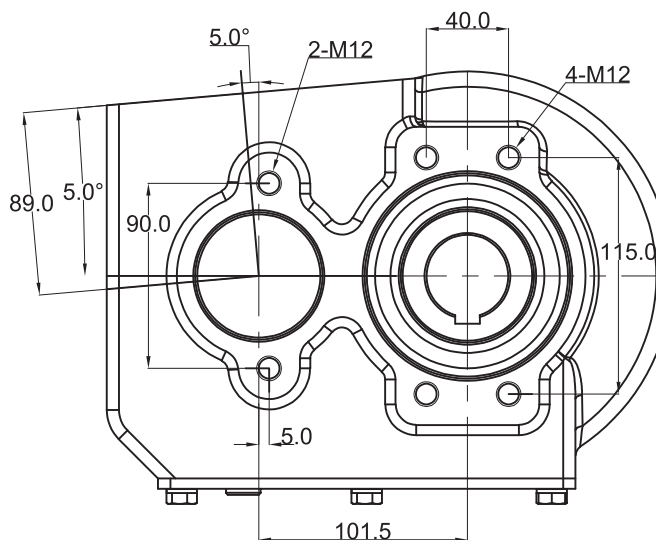
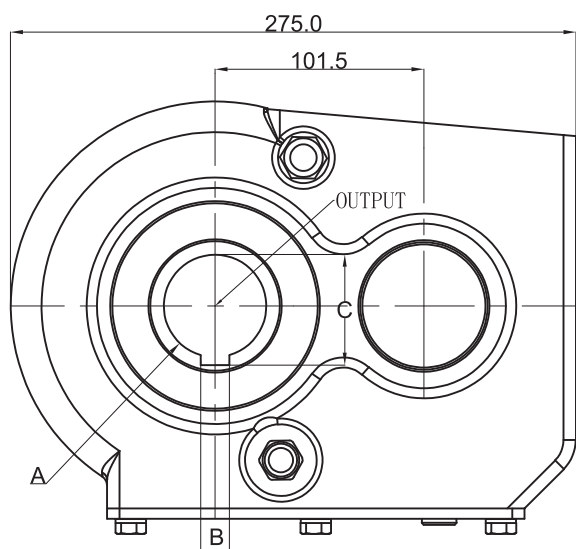
Kadiva people have been adhering to the principle of customer needs and service orientation. With high quality products and comprehensive services, we are looking forward to cooperating with you!







Dimensions



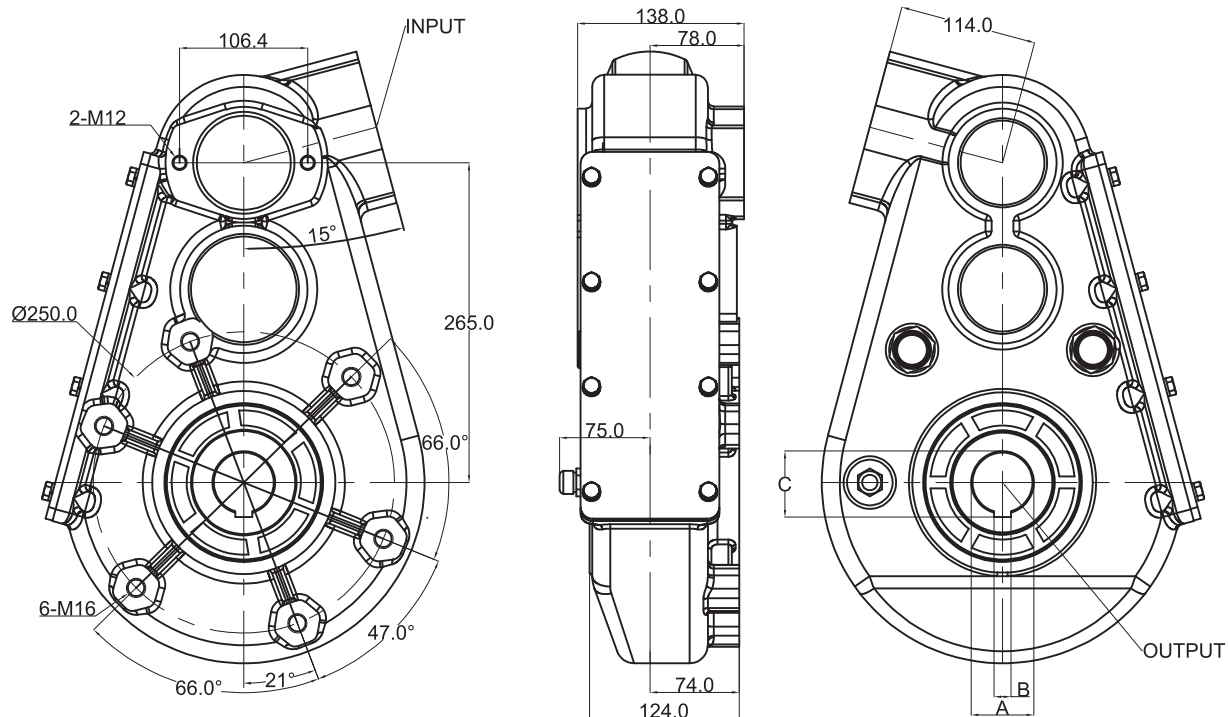
Technical Data

USE	RATIO	INPUT				OUTPUT	
		r.p.m	Hp	Kw	N.m	r.p.m	N.m
SPEED REDUCER	8.15:1	540	14	10	177	66	1500

Remark: If you have any special require feel free let me know, we also accept custom.

A	B	C
φ45	14	48.8
φ50	14	53.8

Dimensions



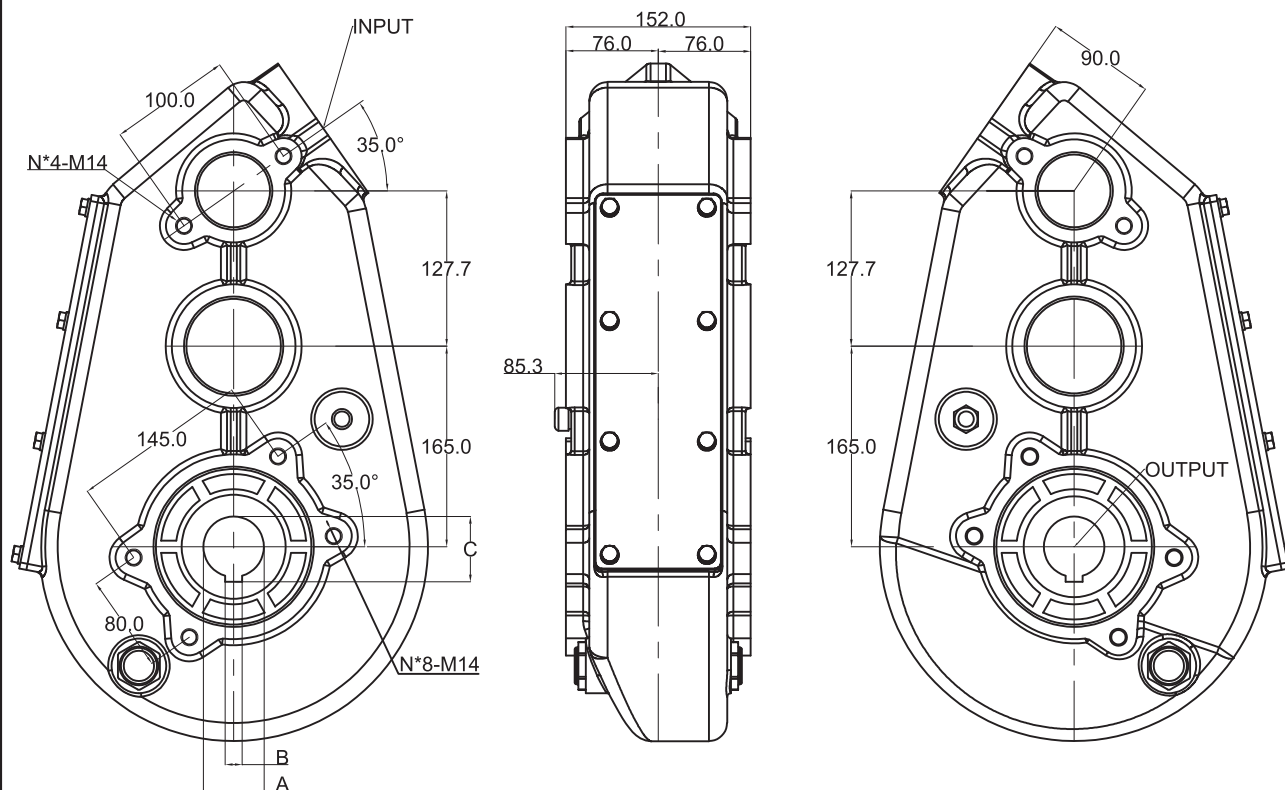
Technical Data

USE	RATIO	INPUT				OUTPUT	
		r.p.m	Hp	Kw	N.m	r.p.m	N.m
SPEED REDUCER	24.3:1	540	11	8.0	140	22	3500

Remark: If you have any special require feel free let me know, we also accept custom.

A	B	C
φ45	14	48.8
φ50	14	53.8
φ60	18	64.4

Dimensions



Technical Data

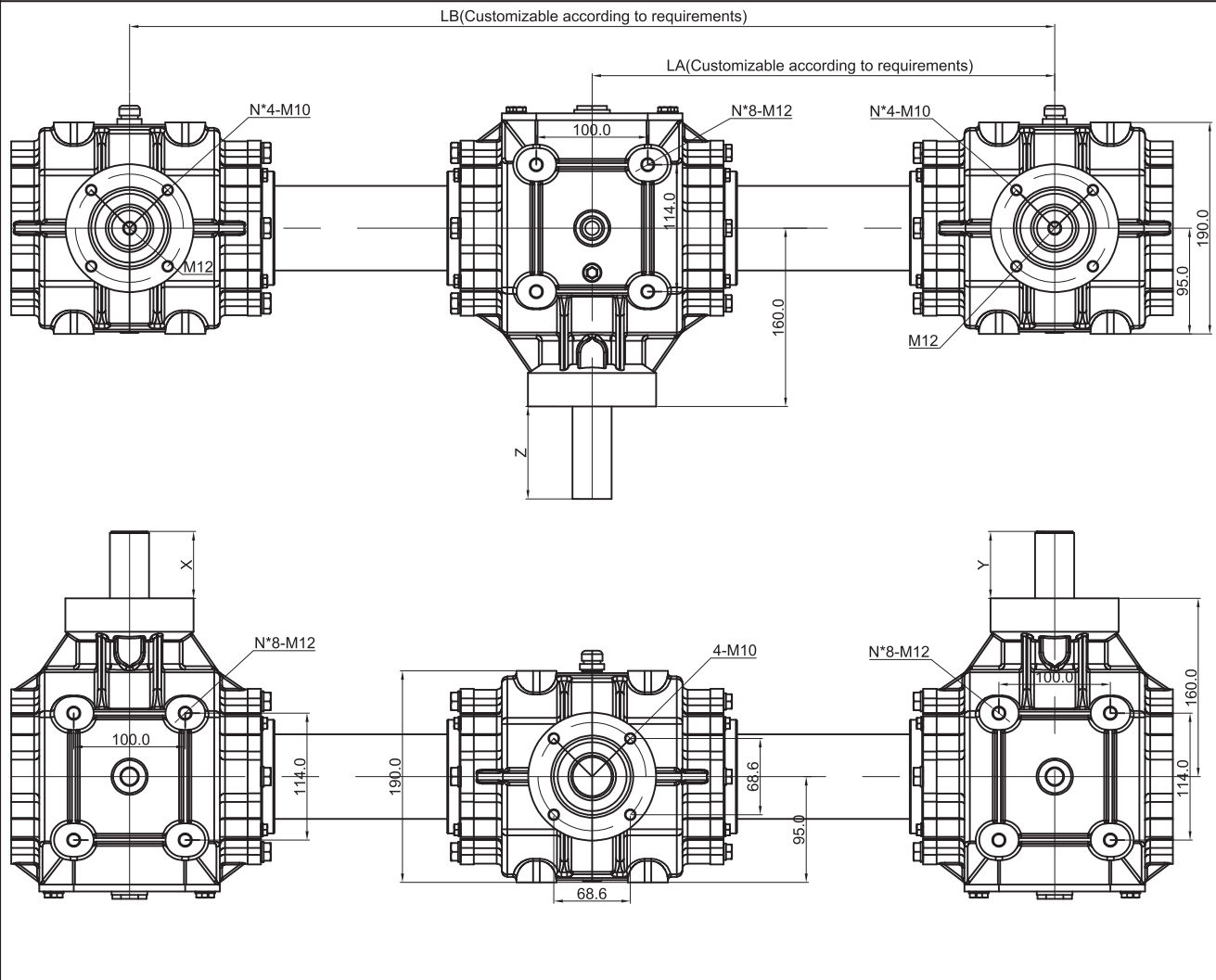
USE	RATIO	INPUT				OUTPUT	
		r.p.m	Hp	Kw	N.m	r.p.m	N.m
SPEED REDUCER	43.54:1	540	8.57	6.3	112	12	5000

Remark: If you have any special require feel free let me know, we also accept custom.

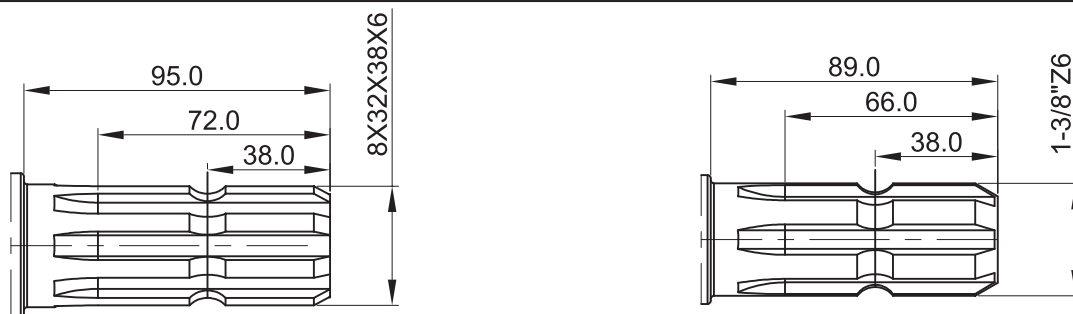
A	B	C
ø50	14	53.8
ø55	16	59.3
ø60	18	64.4

KLF190-R3

Dimensions



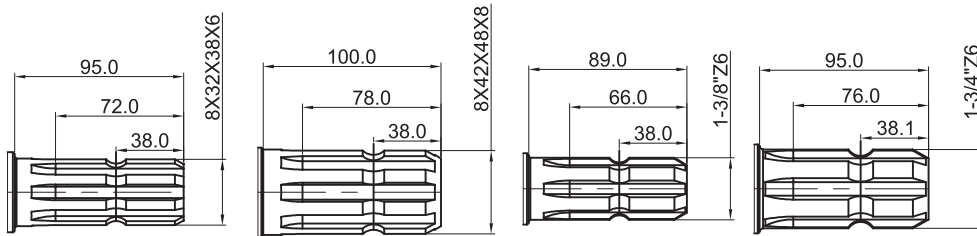
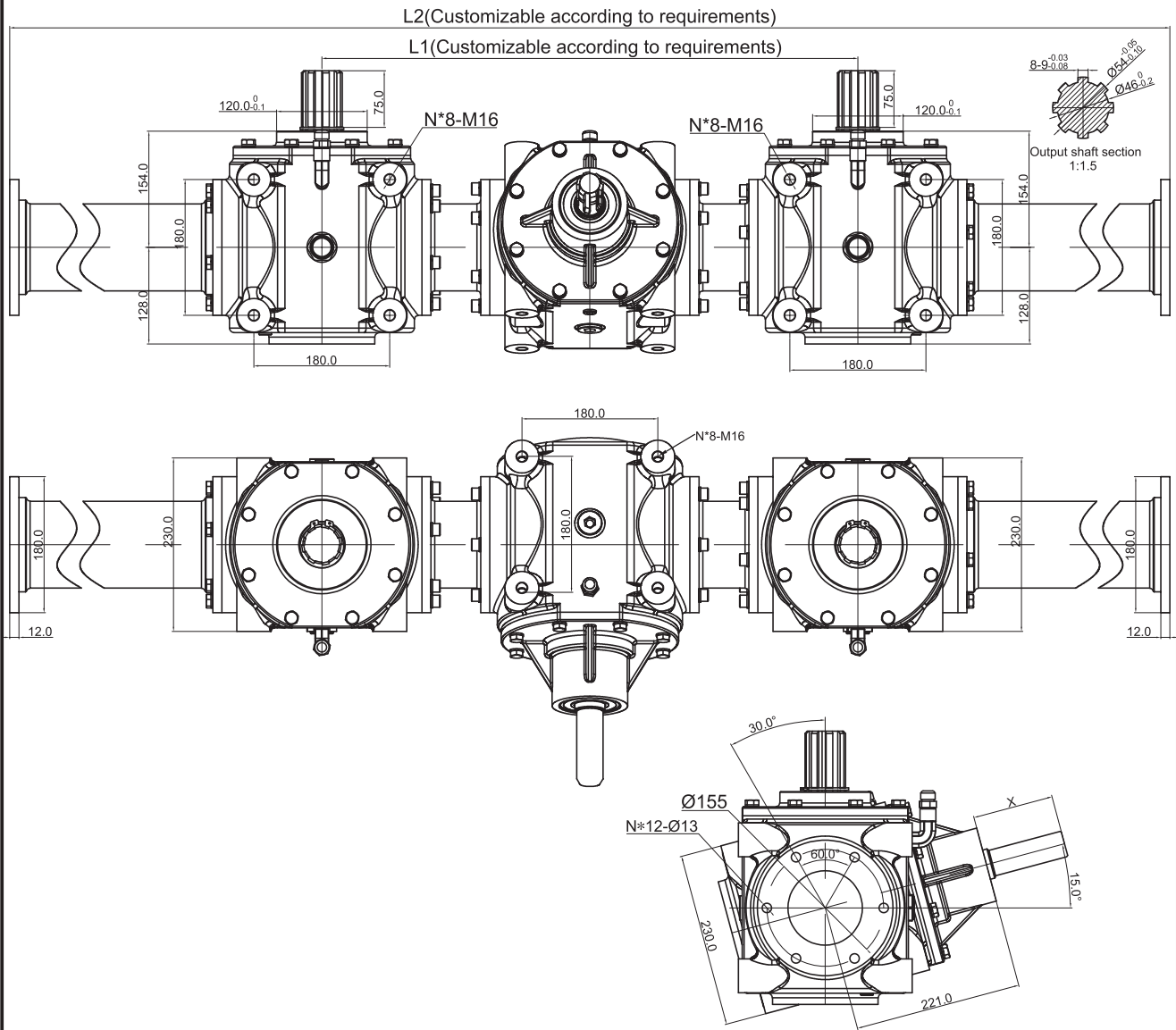
Shafts



USE	RATIO	INPUT				OUTPUT	
		r.p.m	Hp	Kw	N.m	r.p.m	N.m
SPEED REDUCER	1:1	540	72	53	937	540	937
	1.46:1	540	88	65	1149	368	1686

Remark: If you have any special require feel free let me know, we also accept custom.

Dimensions

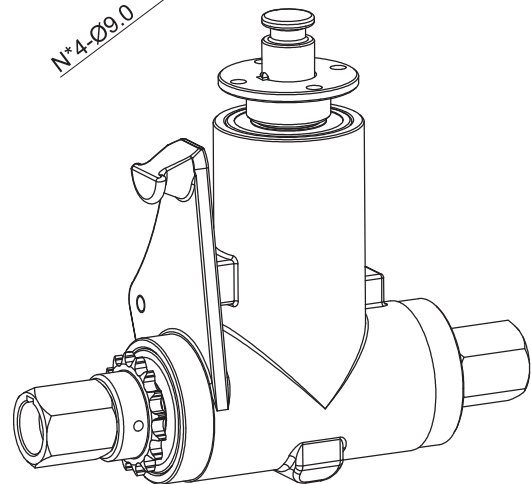
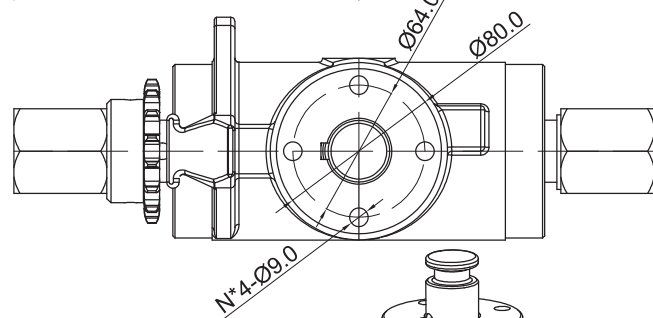
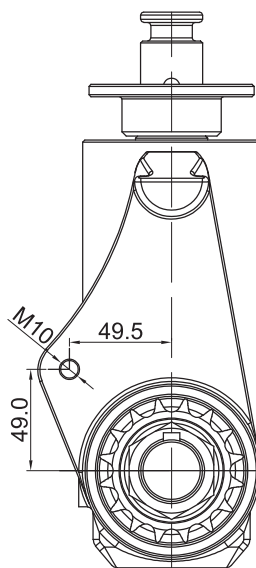
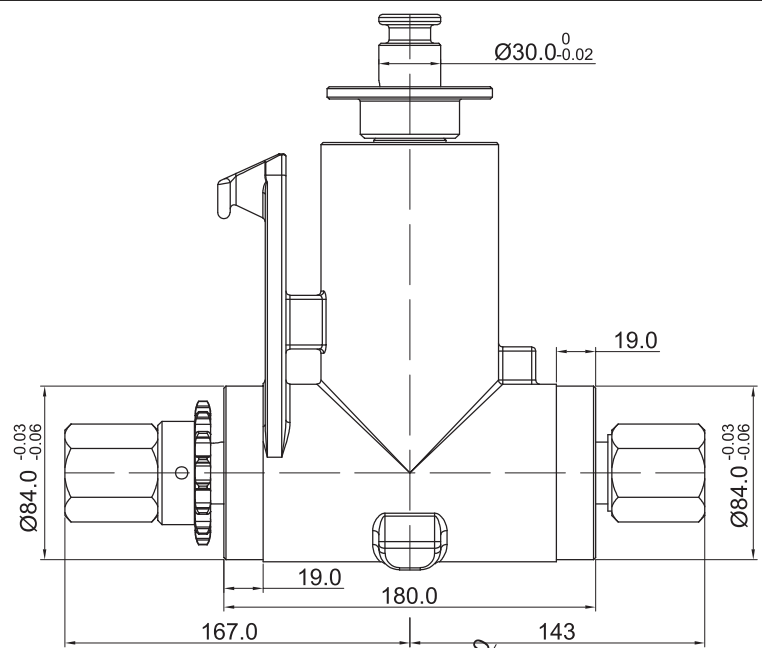
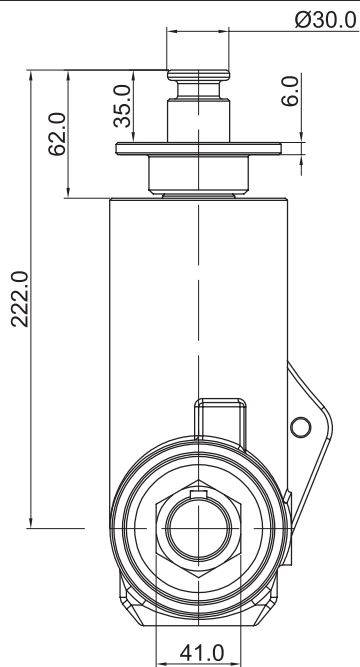


USE	RATIO	INPUT				OUTPUT	
		r.p.m	Hp	Kw	N.m	r.p.m	N.m
SPEED REDUCER	2.36:1	1000	163	120	2782	424	3450

Remark: If you have any special require feel free let me know, we also accept custom.

KLF-SF11

Dimensions



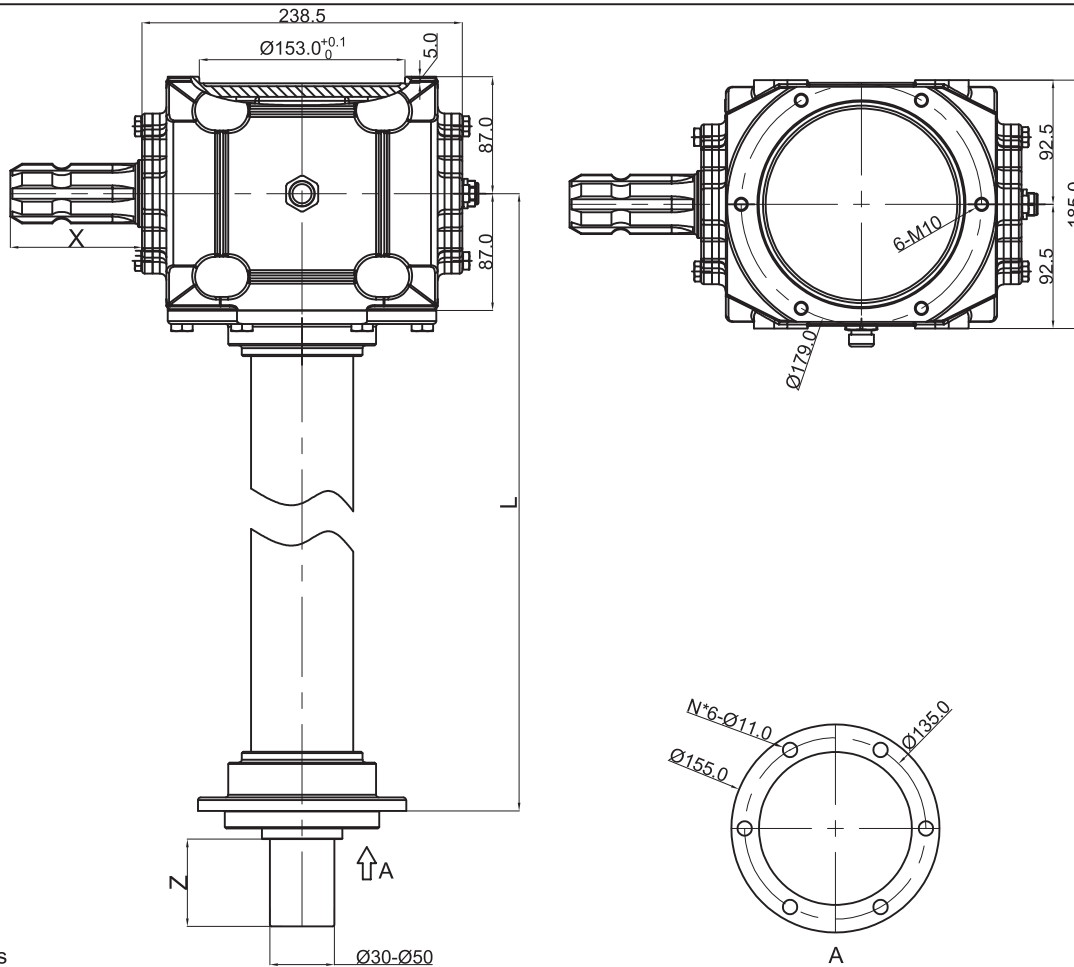
Technical Data

USE	RATIO	INPUT				OUTPUT	
		r.p.m	Hp	Kw	N.m	r.p.m	N.m
SPEED MULTIPLIER	1.0:1	540	20	15	265	540	265
		1000	33	24	229	1000	229

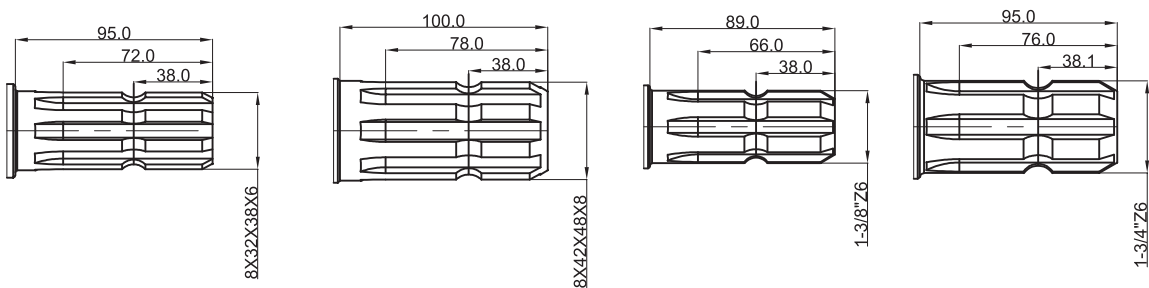
Remark: If you have any special require feel free let me know, we also accept custom.

KLF-XG185

Dimensions



Shafts



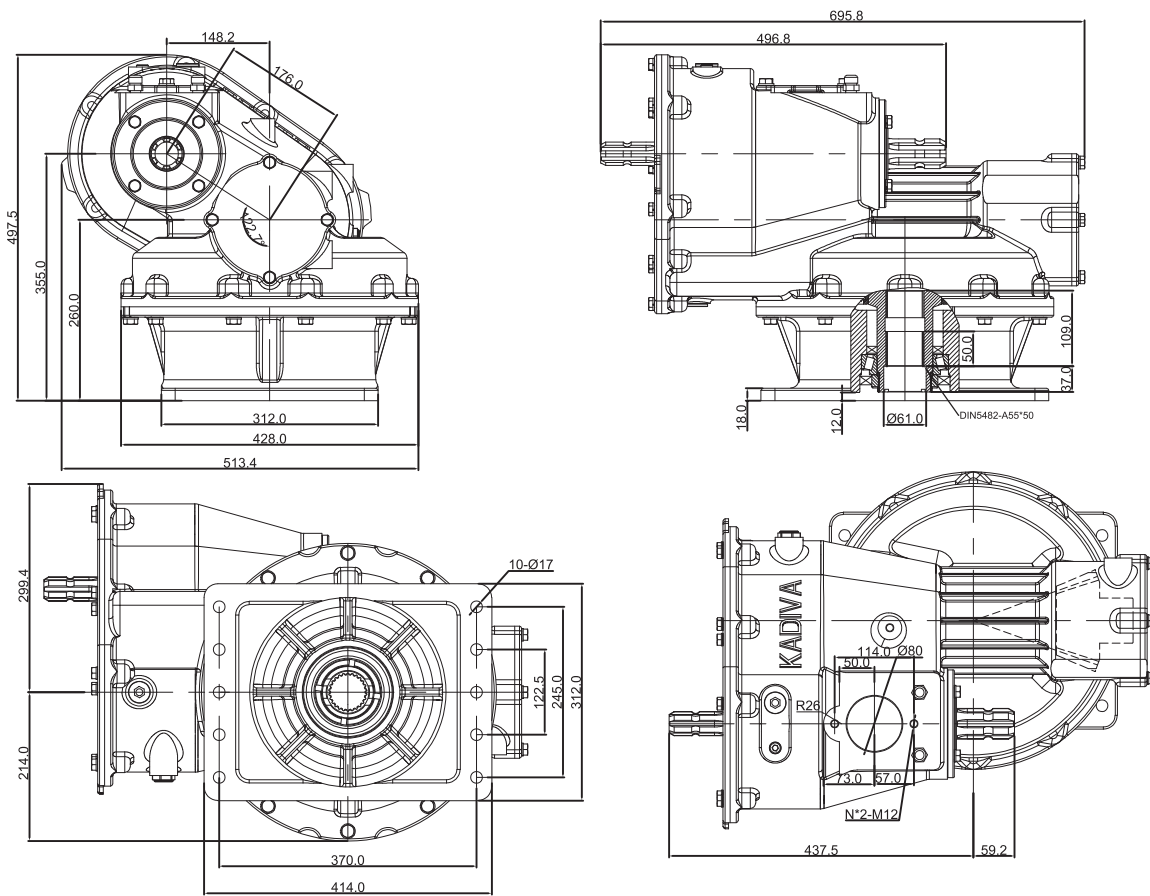
Technical Data

USE	RATIO	INPUT				OUTPUT	
		r.p.m	Hp	Kw	N.m	r.p.m	N.m
SPEED REDUCER	1.31:1	540	62	45	796	412	1043

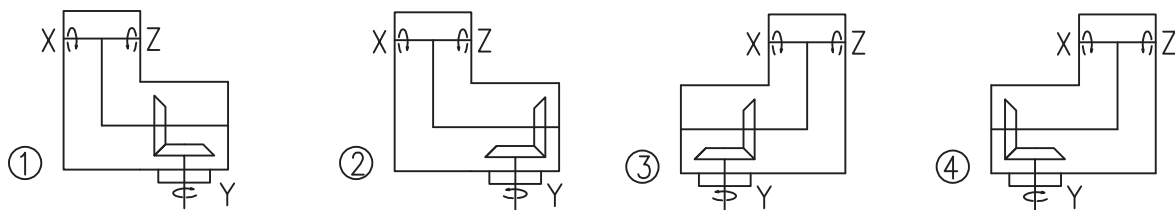
Remark: If you have any special require feel free let me know, we also accept custom.

KLF-DX300

Dimensions



Turn



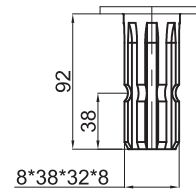
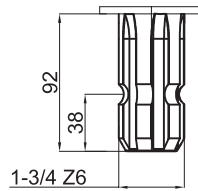
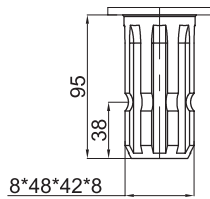
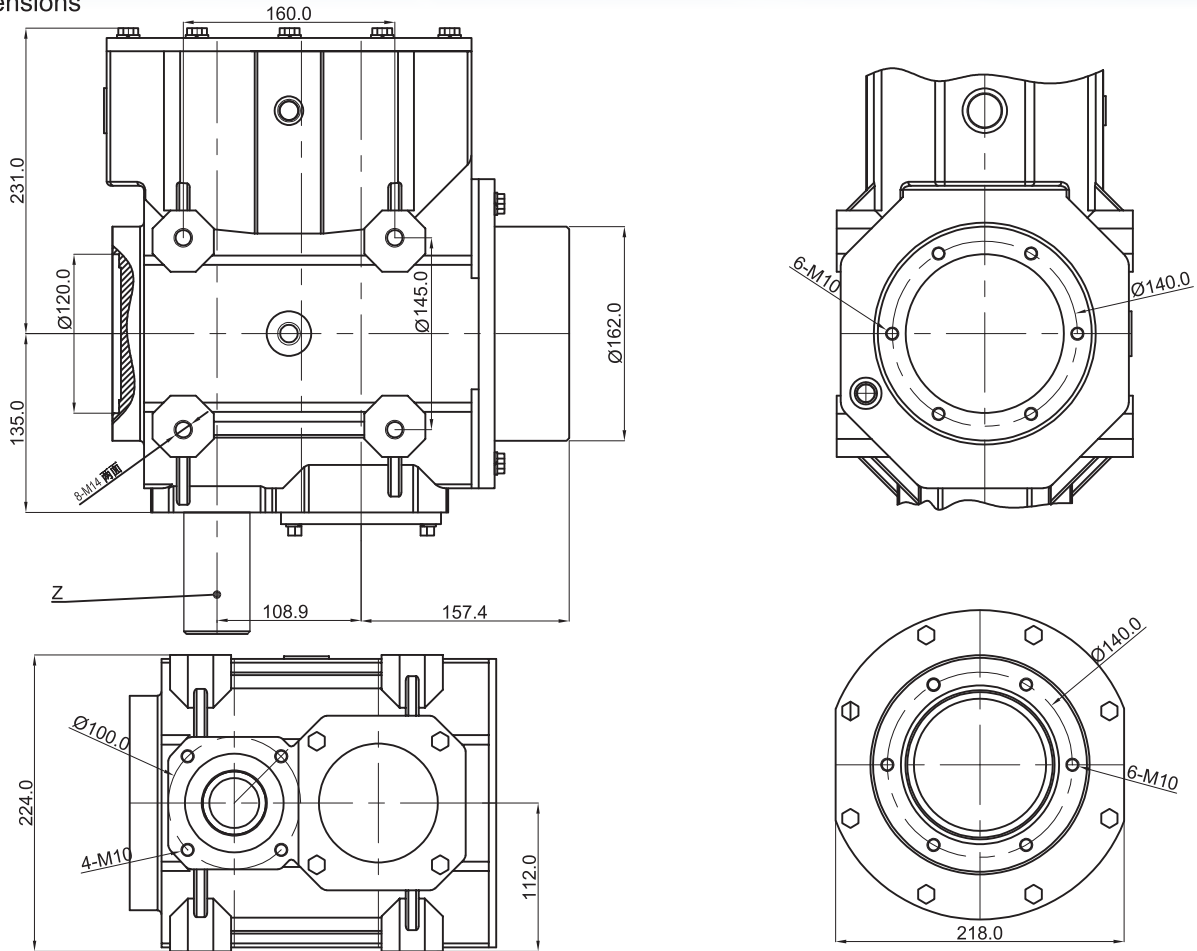
Technical Data

USE	RATIO	INPUT				OUTPUT	
		r.p.m	Hp	Kw	N.m	r.p.m	N.m
SPEED REDUCER	2.47:1	1000	200	147	1404	405	3500
	2.63:1	1000	200	147	1404	380	3700

Remark: If you have any special require feel free let me know, we also accept custom.

KLF112

Dimensions

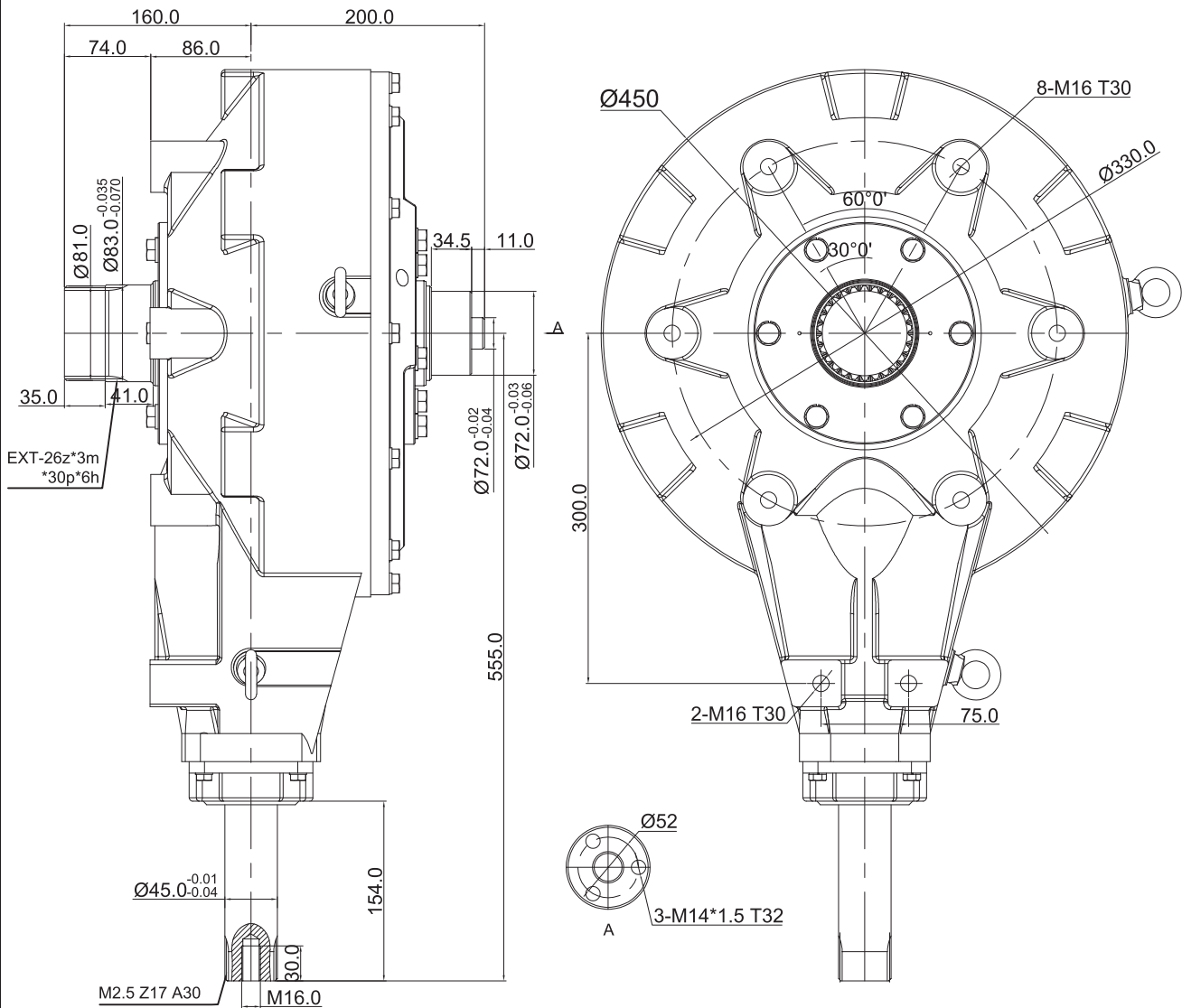


USE	RATIO	INPUT				OUTPUT	
		r.p.m	Hp	Kw	N.m	r.p.m	N.m
SPEED REDUCER	1.62:1	540	109	80	1415	333	2294
		1000	177	130	1241	617	2012
	1.82:1	540	109	80	1415	297	2572
		1000	177	130	1241	549	2261
	2.03:1	540	109	80	1415	266	2872
		1000	177	130	1241	493	2518
	2.28:1	540	109	80	1415	237	3223
		1000	177	130	1241	439	2828

Remark: If you have any special require feel free let me know, we also accept custom.

KLF-FK360

Dimensions

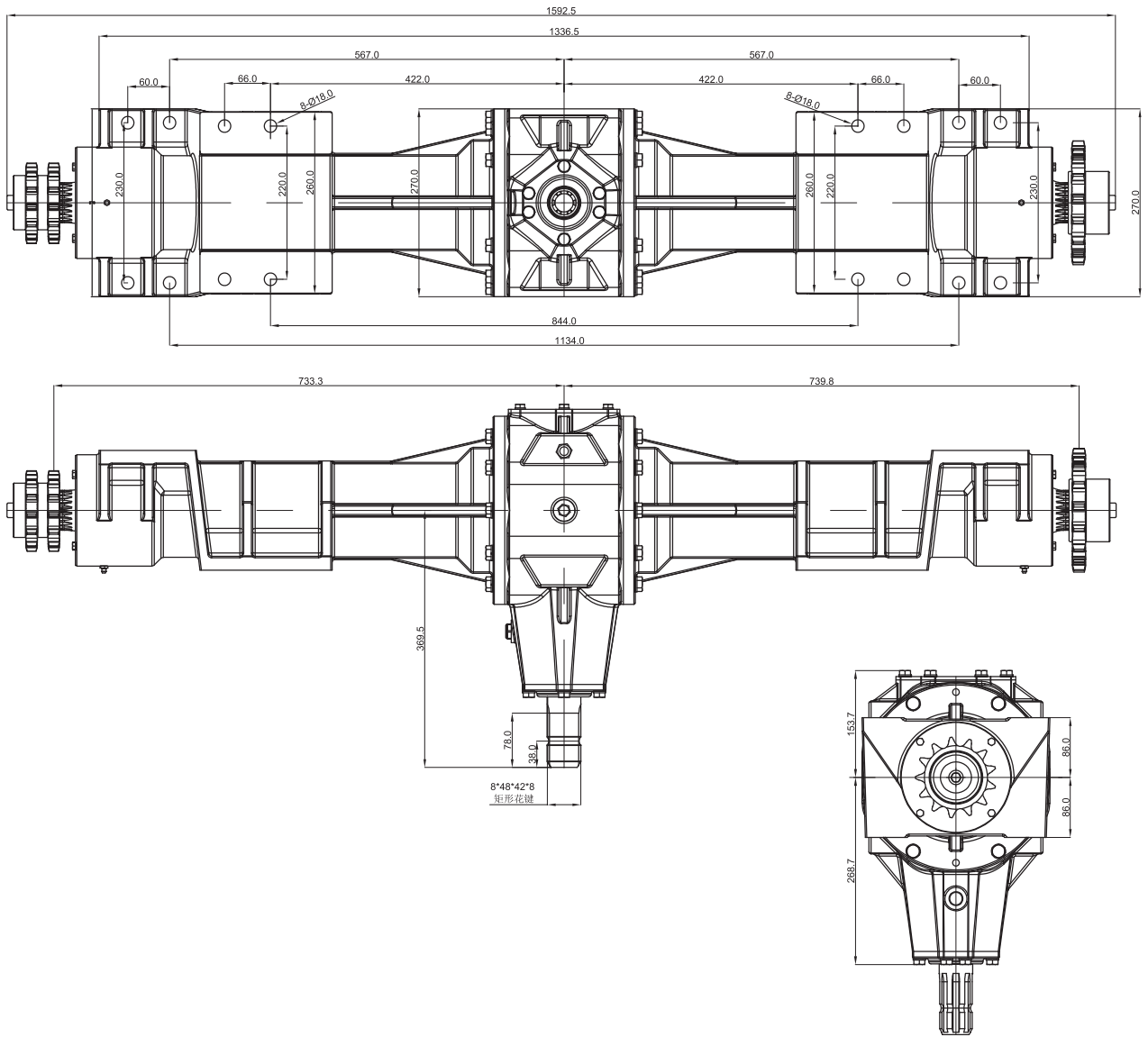


Technical Data

USE	RATIO	INPUT				OUTPUT	
		r.p.m	Hp	Kw	N.m	r.p.m	N.m
SPEED REDUCER	5.43:1	540	102	75	1326	99	7200
		1000	166	122	1165	184	6324

Remark: If you have any special require feel free let me know, we also accept custom.

Dimensions



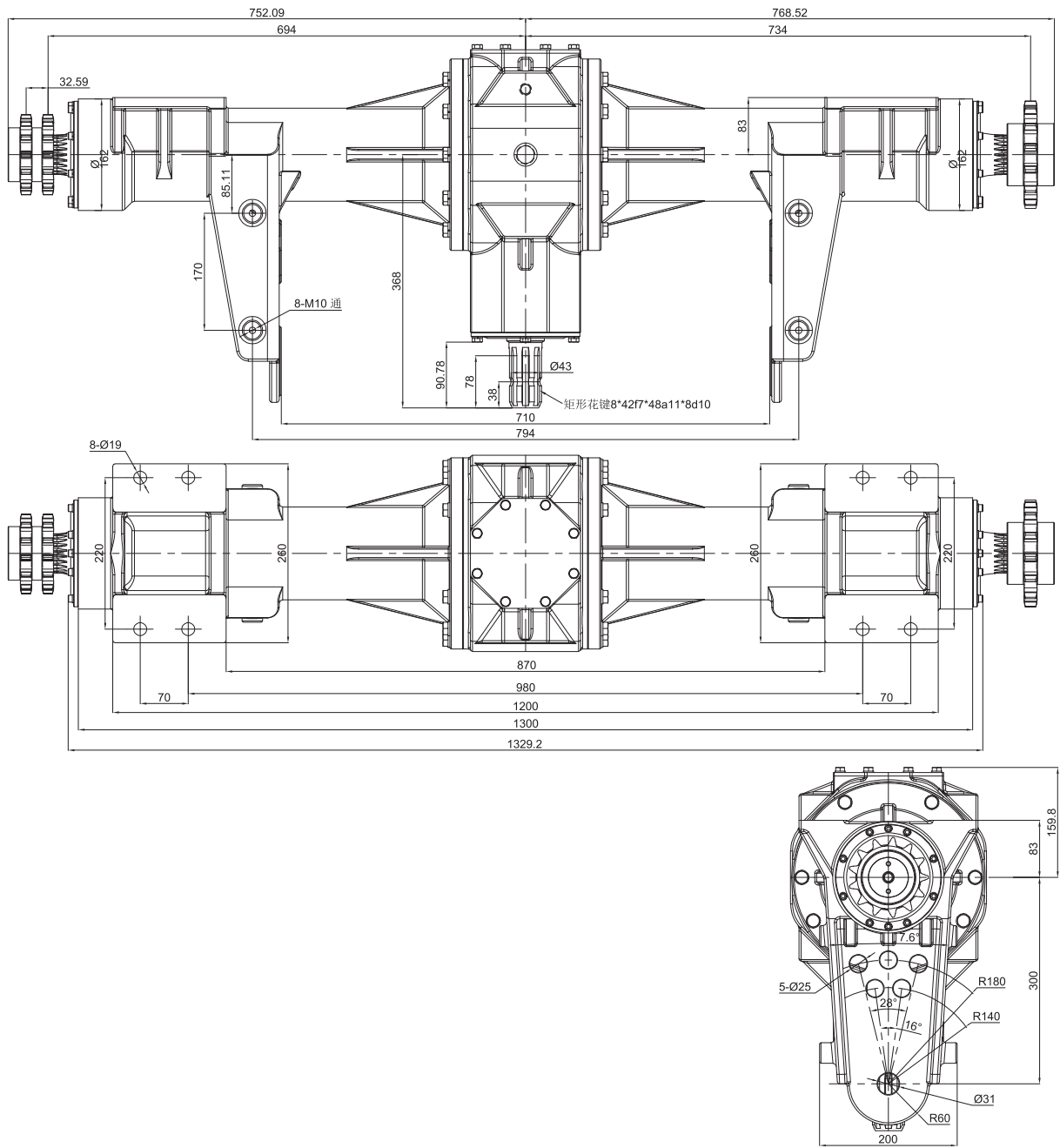
Technical Data

USE	RATIO	INPUT				OUTPUT	
		r.p.m	Hp	Kw	N.m	r.p.m	N.m
SPEED REDUCER	1.92:1	540	110	80	1415	280	2728

Remark: If you have any special require feel free let me know, we also accept custom.

KLF9.35-XH

Dimensions



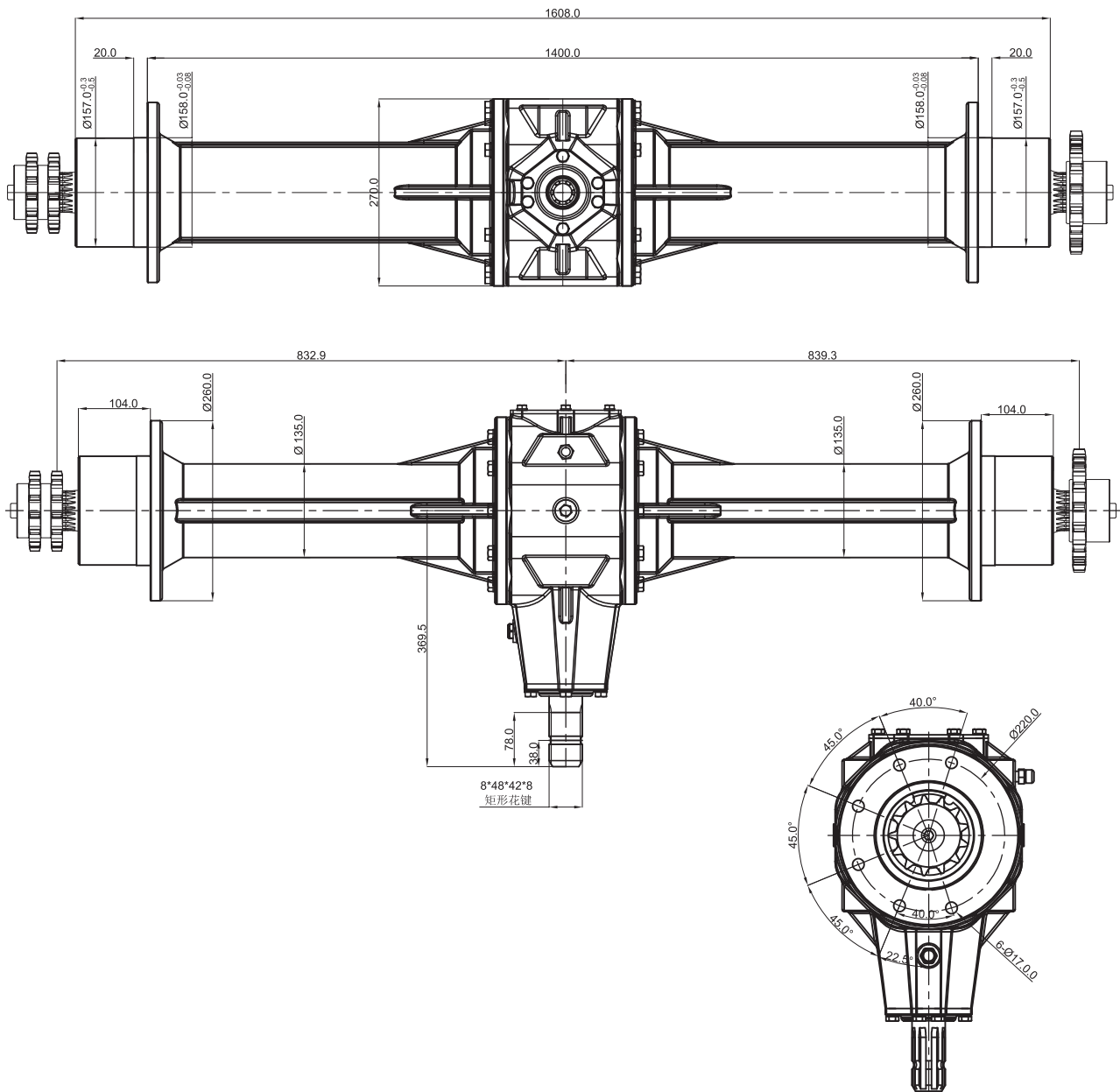
Technical Data

USE	RATIO	INPUT				OUTPUT	
		r.p.m	Hp	Kw	N.m	r.p.m	N.m
SPEED REDUCER	1.92:1	540	110	80	1415	280	2728

Remark: If you have any special require feel free let me know, we also accept custom.

KLF9.0-HL01

Dimensions



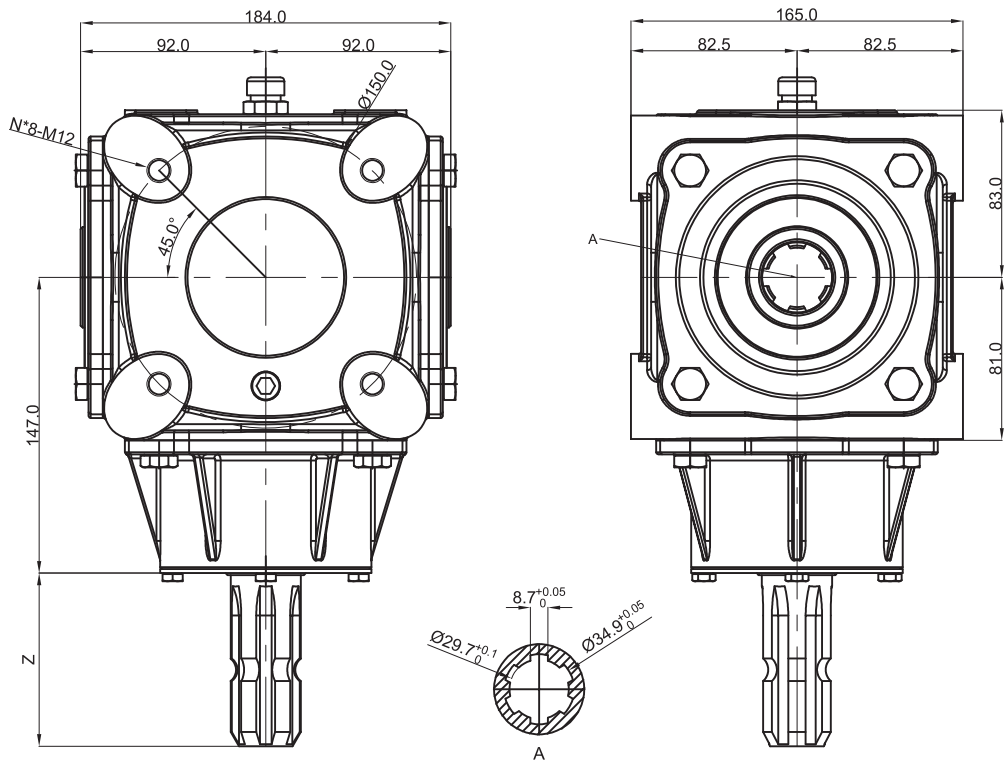
Technical Data

USE	RATIO	INPUT				OUTPUT	
		r.p.m	Hp	Kw	N.m	r.p.m	N.m
SPEED REDUCER	1.92:1	540	110	80	1415	280	2728

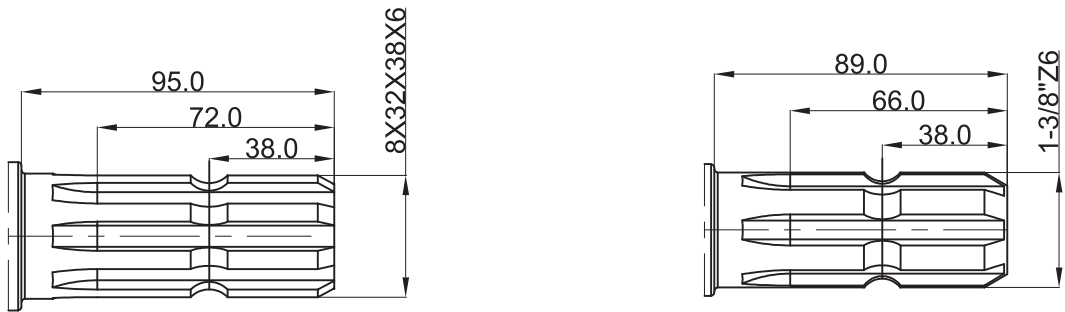
Remark: If you have any special require feel free let me know, we also accept custom.

KLF-GC165

Dimensions



Shafts



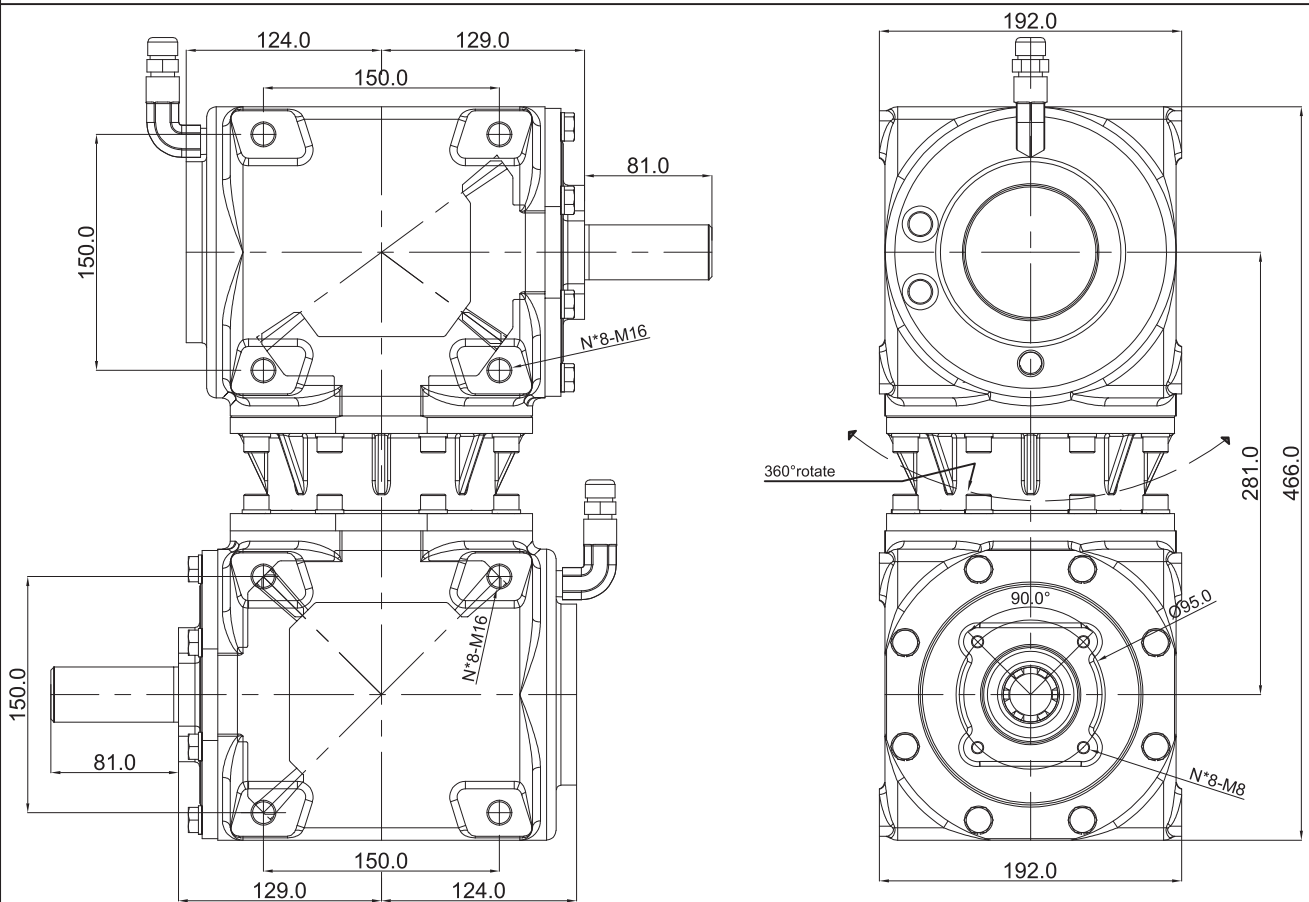
Technical Data

USE	RATIO	INPUT				OUTPUT	
		r.p.m	Hp	Kw	N.m	r.p.m	N.m
SPEED MULTIPLIER	1:2.0	540	38	28	495	1080	248
	1:1.84	540	41	30	530	994	288

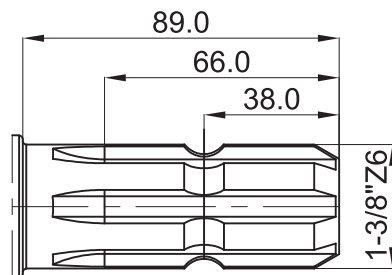
Remark: If you have any special require feel free let me know, we also accept custom.

KLF-GC281

Dimensions



Shafts



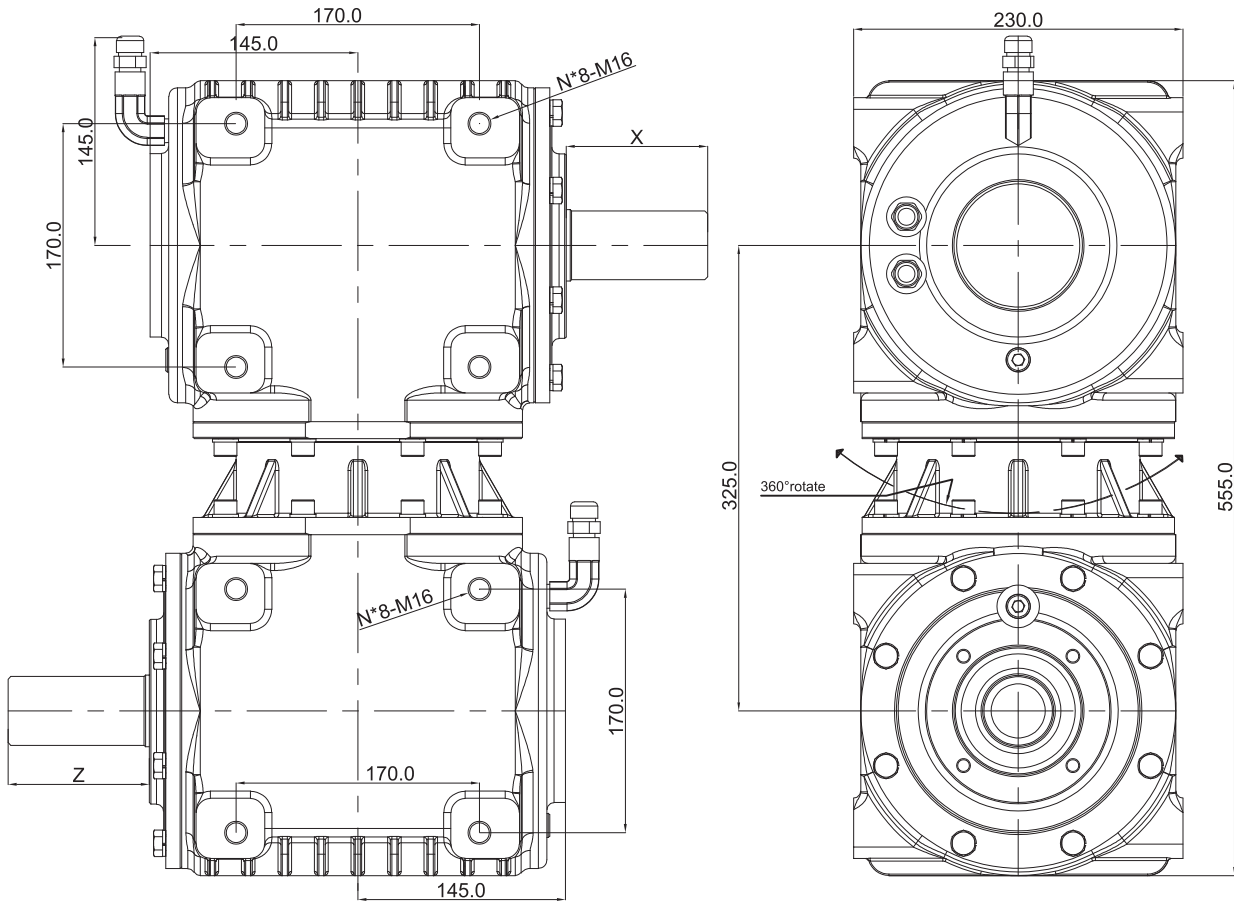
Technical Data

USE	RATIO	INPUT				OUTPUT	
		r.p.m	Hp	Kw	N.m	r.p.m	N.m
SPEED MULTIPLIER	1:1.82	540	85	62.5	1105	983	607
	1:1.35	540	85	62.5	1105	729	819
SPEED REDUCER	1.35:1	1000	120	88.2	842	740	1138

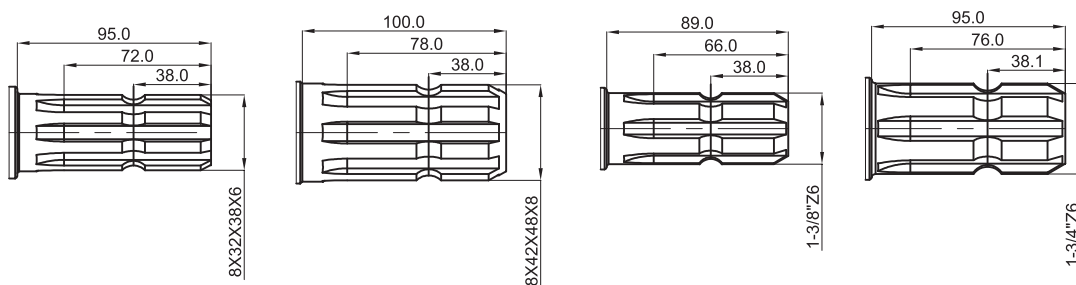
Remark: If you have any special require feel free let me know, we also accept custom.

KLF-GC325

Dimensions



Shafts



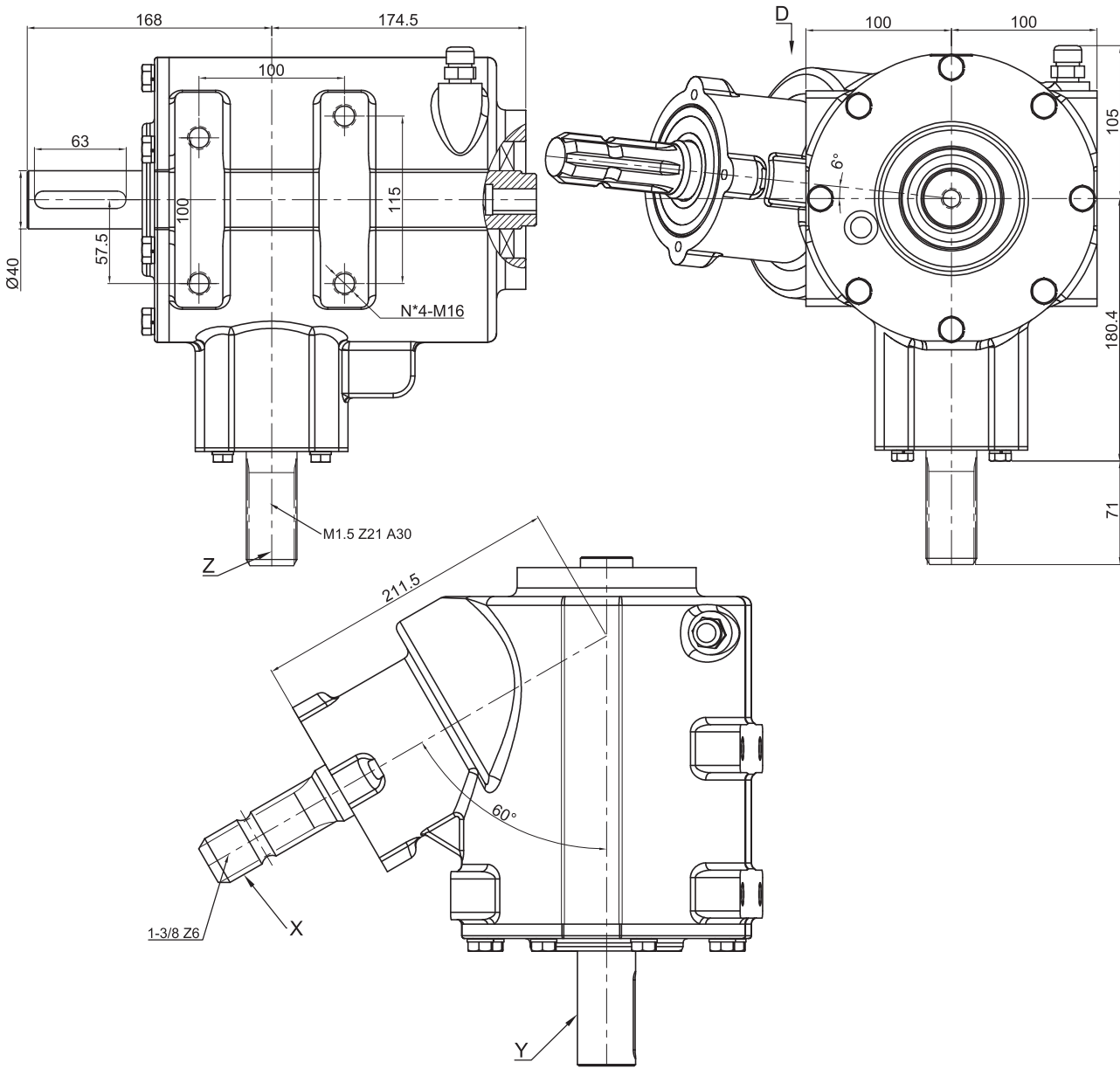
Technical Data

USE	RATIO	INPUT				OUTPUT	
		r.p.m	Hp	Kw	N.m	r.p.m	N.m
SPEED MULTIPLIER	1:1	540	163	120	2122	540	2122
		1000	286	210	2005	1000	2005

Remark: If you have any special require feel free let me know, we also accept custom.

KLF-GC100

Dimensions

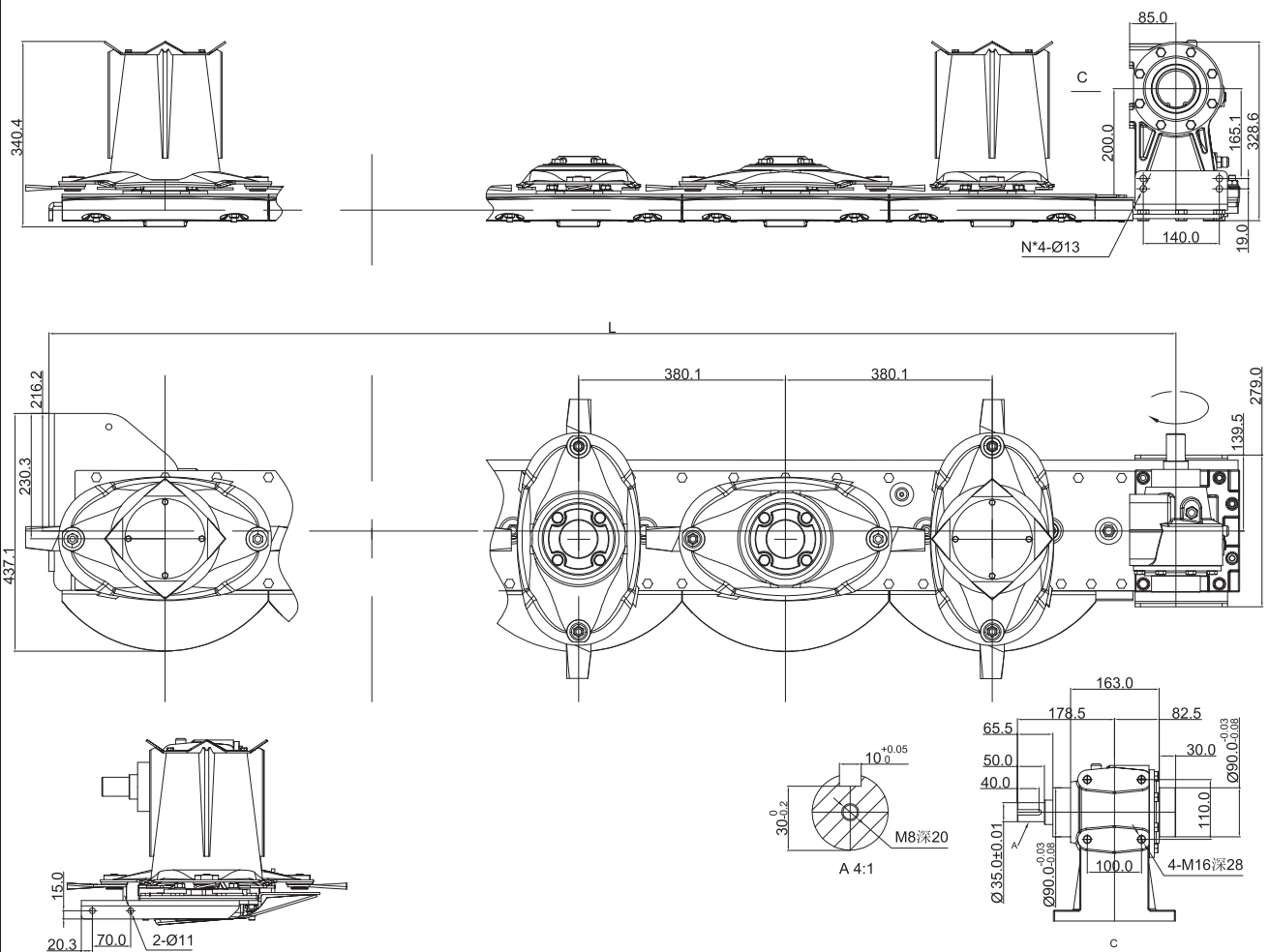


Technical Data

USE	RATIO		INPUT				OUTPUT	
	X-Y	X-Z	r.p.m	Hp	Kw	N.m	r.p.m	N.m
SPEED MULTIPLIER	1:1.35	1:4.05	540	82	60.3	1066	--	--
	1:1.35	1:5.29	540	56	41.2	729	--	--

Remark: If you have any special require feel free let me know, we also accept custom.

Dimensions

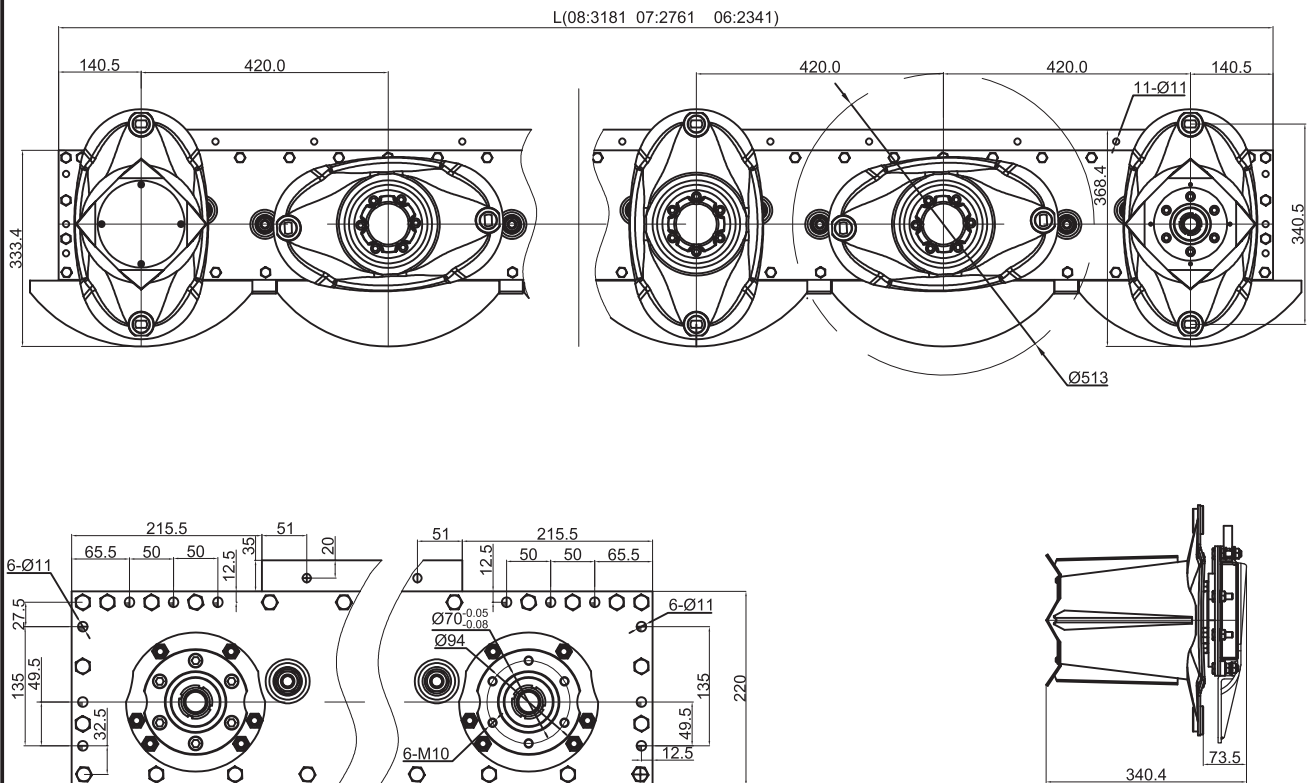


Technical Data

Parameter \ Type	KLF-GC04	KLF-GC05	KLF-GC06	KLF-GC07	KLF-GC08
kg	148	168	197	226	268
kw/hp	21/28	26/35	31/42	37/50	41/56
L	1821.8	2221.4	2586.3	2981.4	3321
Work breadth	1650	2100	2400	2800	3150
Cutter number	4	5	6	7	8
Number of blades	8	10	12	14	16
Rpm input	1000				
Rpm output	2667				

Remark: If you have any special require feel free let me know, we also accept custom.

Dimensions



(Partial installation dimension diagram) 1.5:1

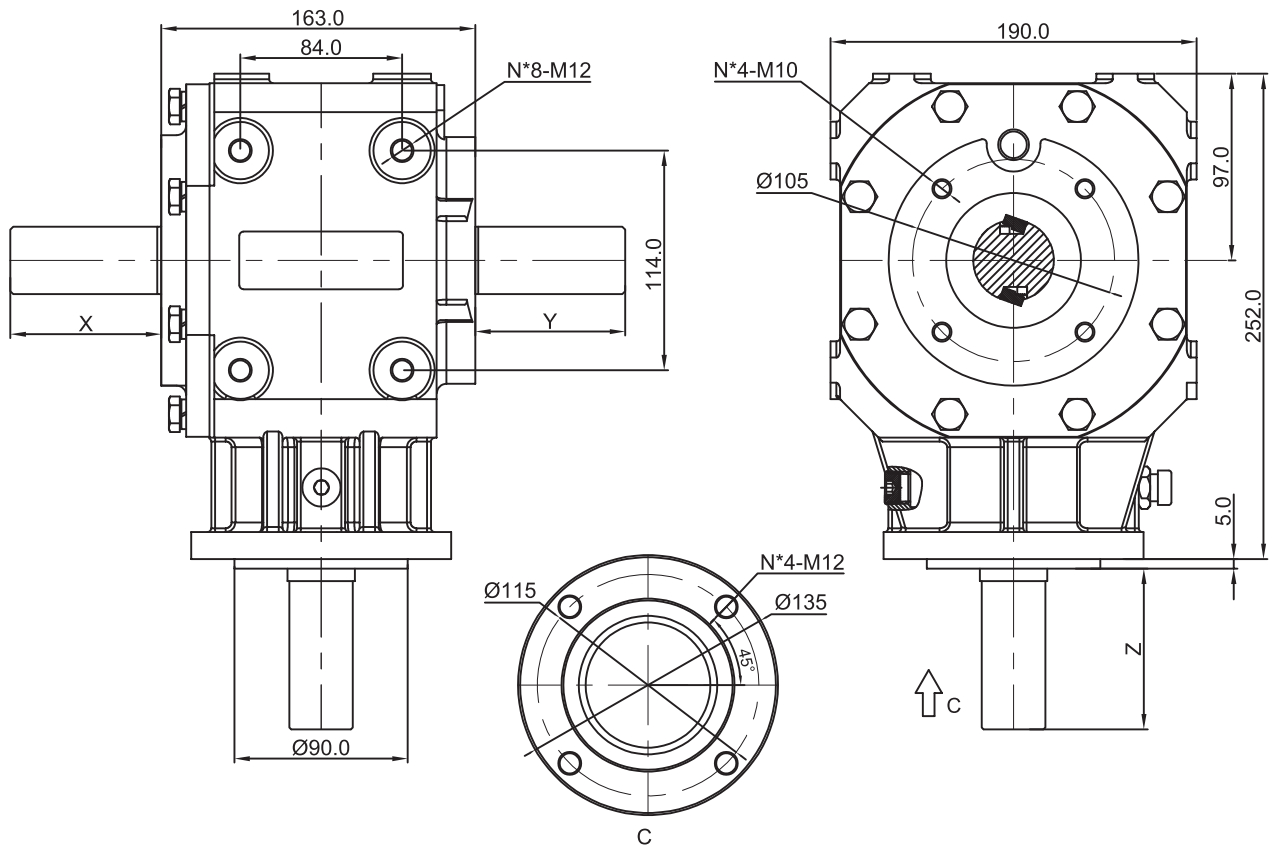
Technical Data

Parameter	Type	KLF-GCB06	KLF-GCB07	KLF-GCB08
kw/hp		44/60	55/75	66/90
Work breadth		2600	3000	3400
Cutter number		6	7	8
Number of blades		12	14	16
Rpm input		3000		
Rpm output		3000		

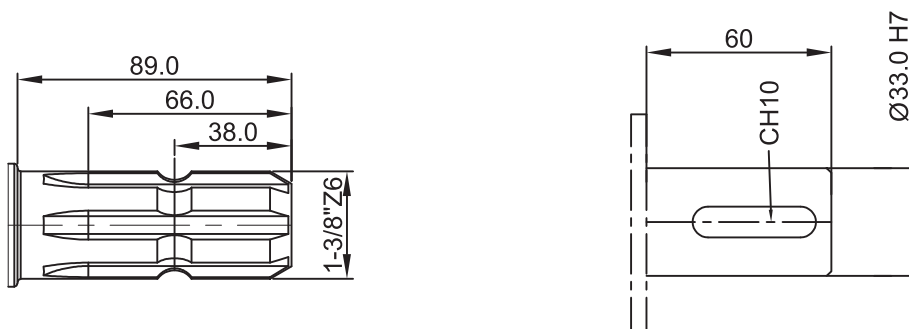
Remark: If you have any special require feel free let me know, we also accept custom.

KLF-GC190

Dimensions



Shafts

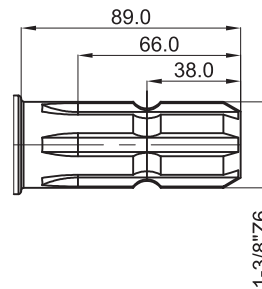
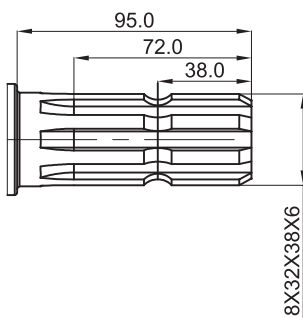
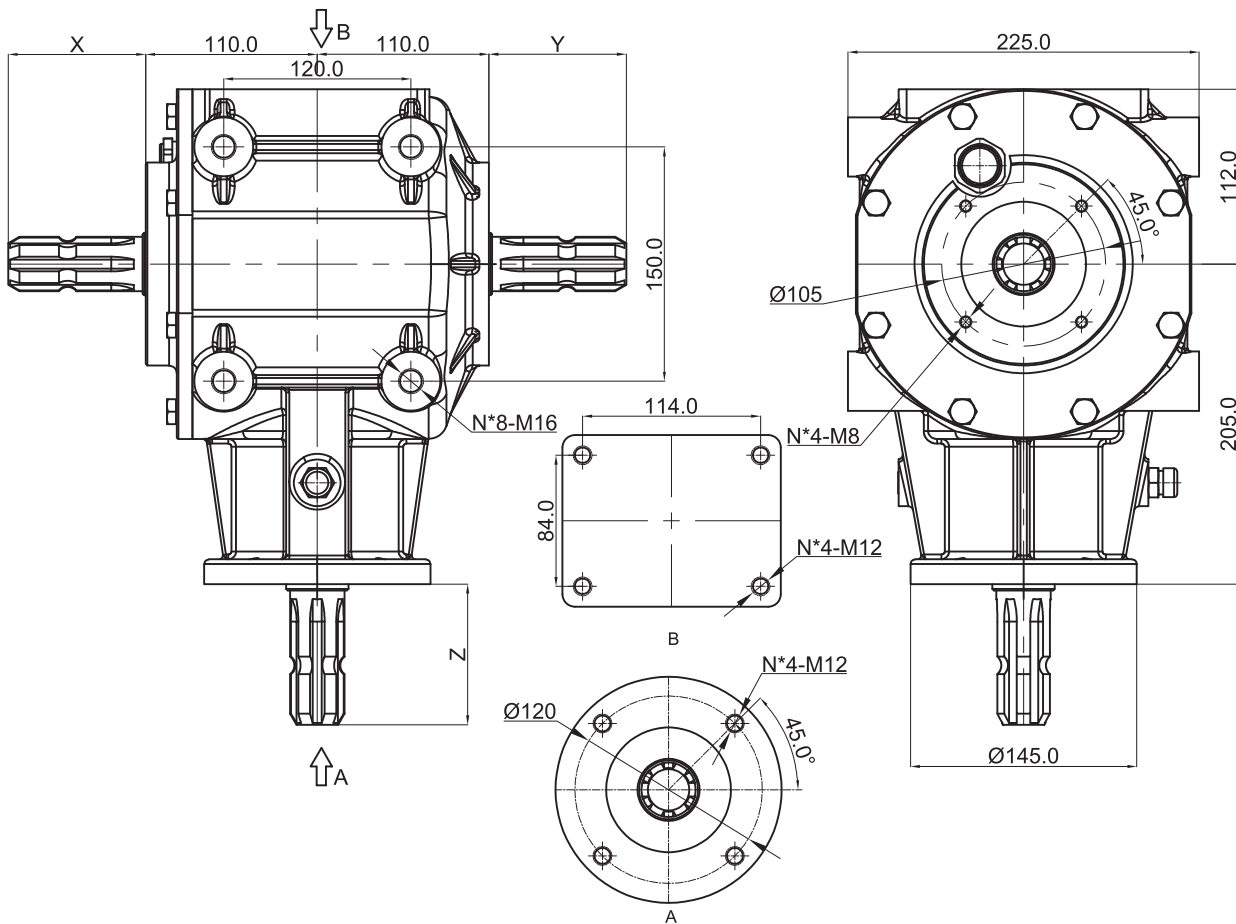


USE	RATIO	INPUT				OUTPUT	
		r.p.m	Hp	Kw	N.m	r.p.m	N.m
SPEED MULTIPLIER	1:3.0	540	52	38	672	1620	224
		1000	80	59	563	3000	188
	1:2.0	540	61	45	796	1080	398
		1000	92	68	649	2000	325

Remark: If you have any special require feel free let me know, we also accept custom.

KLF-GC225

Dimensions

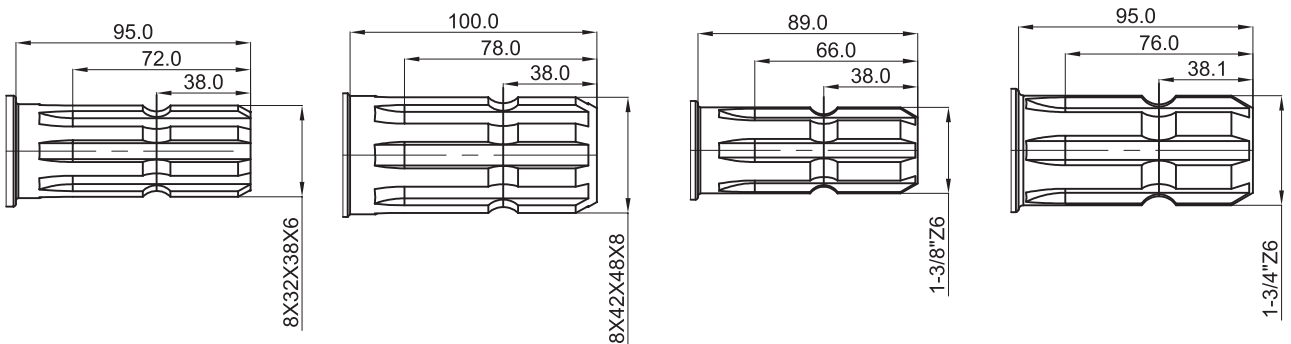
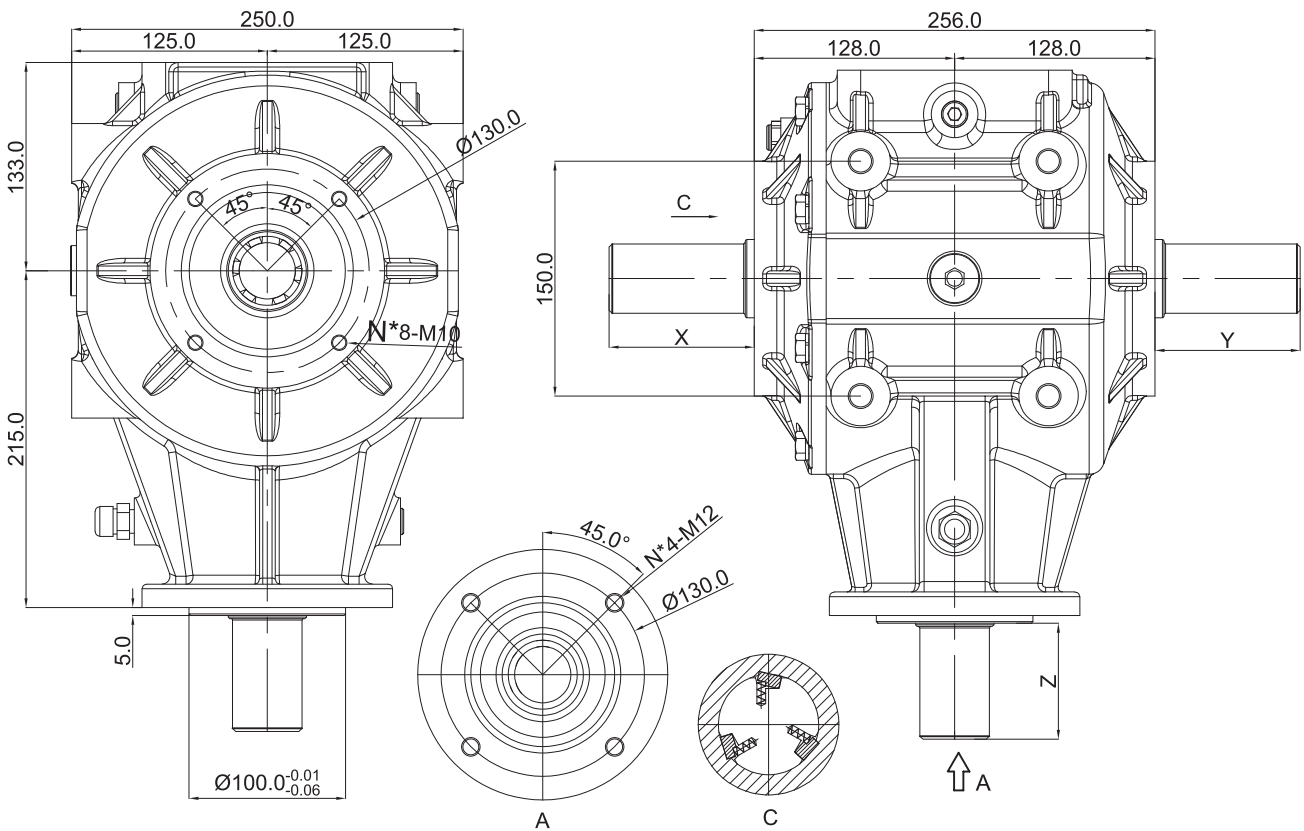


USE	RATIO	INPUT				OUTPUT	
		r.p.m	Kw	Hp	N.m	N.m	r.p.m
SPEED MULTIPLIER	1:3.00	540	58.8	80	1040	347	1620
	1:2.42	540	58.8	80	1040	430	1307
	1:1.86	540	62.5	85	1105	594	1004
	1:1.63	540	65.0	88	1149	705	880
	1:1.47	540	69.8	95	1234	839	794
	1:1	540	66.2	90	1171	1171	540

Remark: If you have any special require feel free let me know, we also accept custom.

KLF-GC250

Dimensions

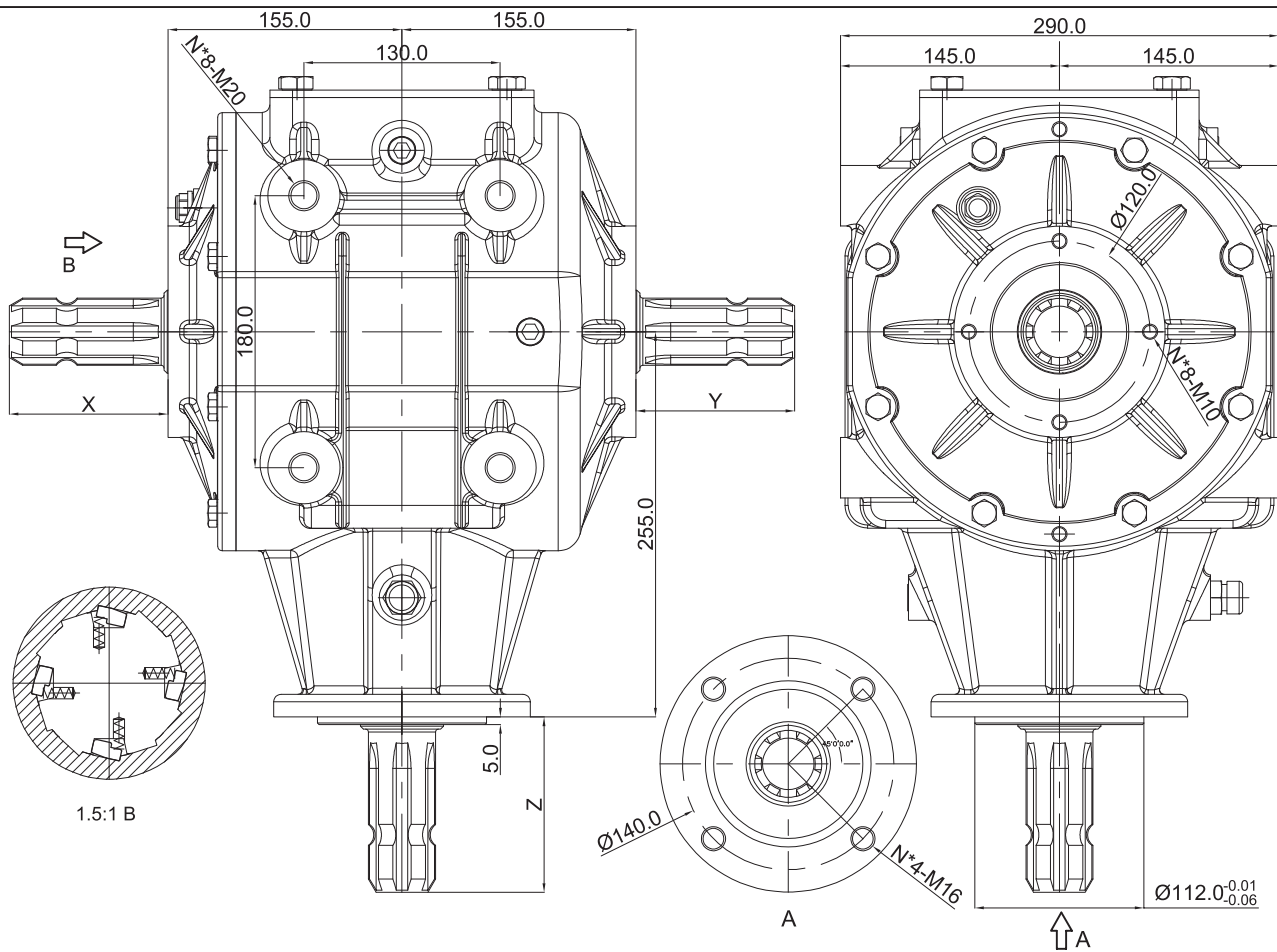


USE	RATIO	INPUT				OUTPUT	
		r.p.m	P Kw	M Hp	M N.m	M N.m	r.p.m
SPEED MULTIPLIER	1:3.00	540	75	102	1326	442	1620
		1000	125	170	1194	398	3000
	1:2.50	540	80	109	1415	567	1350
		1000	138	188	1318	527	2500
	1:1.92	540	105	142	1853	967	1037
		1000	185	250	1763	920	1920

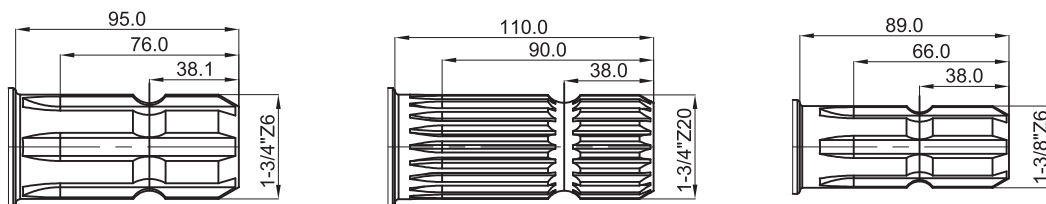
Remark: If you have any special require feel free let me know, we also accept custom.

KLF-GC290

Dimensions



Shafts



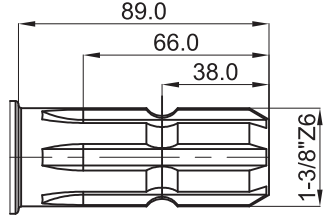
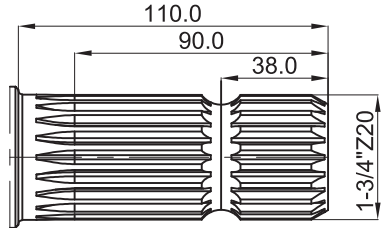
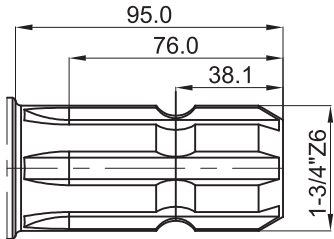
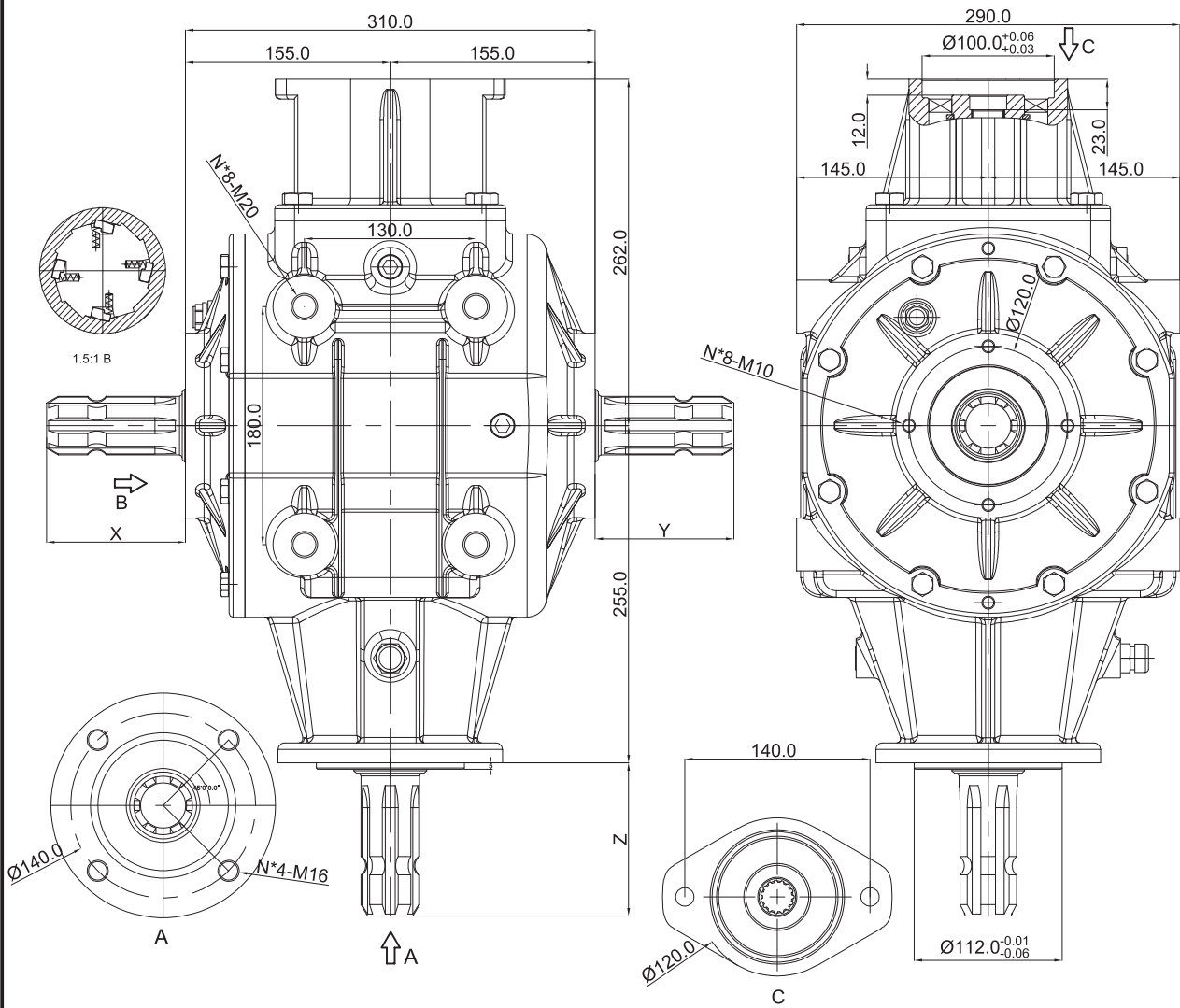
Technical Data

USE	RATIO	INPUT			OUTPUT		
		r.p.m	P Kw	M Hp	M N.m	M N.m	r.p.m
SPEED MULTIPLIER	1:3.00	540	120	163	2122	707	1620
		1000	200	272	1910	637	3000
	1:2.40	540	140	190	2476	1032	1080
		1000	230	313	2196	915	2400
	1:1.80	540	160	218	2829	1572	972
		1000	270	367	2578	1432	1800

Remark: If you have any special require feel free let me know, we also accept custom.

KLF-GC290B

Dimensions

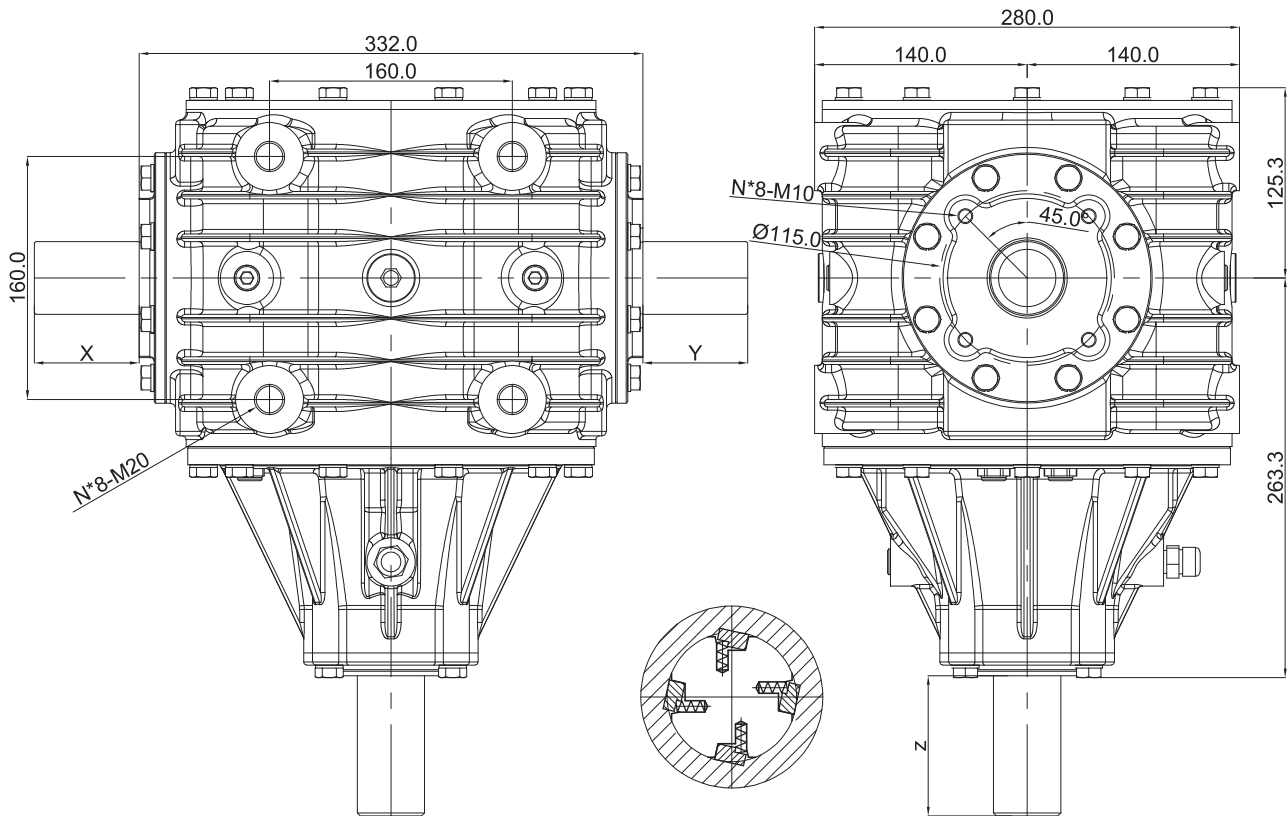


USE	RATIO	INPUT				OUTPUT	
		r.p.m	P Kw	M Hp	M N.m	M N.m	r.p.m
SPEED MULTIPLIER	1:3.00	540	120	163	2122	707	1620
		1000	200	272	1910	637	3000
	1:2.40	540	140	190	2476	1032	1080
		1000	230	313	2196	915	2400
	1:1.80	540	160	218	2829	1572	972
		1000	270	367	2578	1432	1800

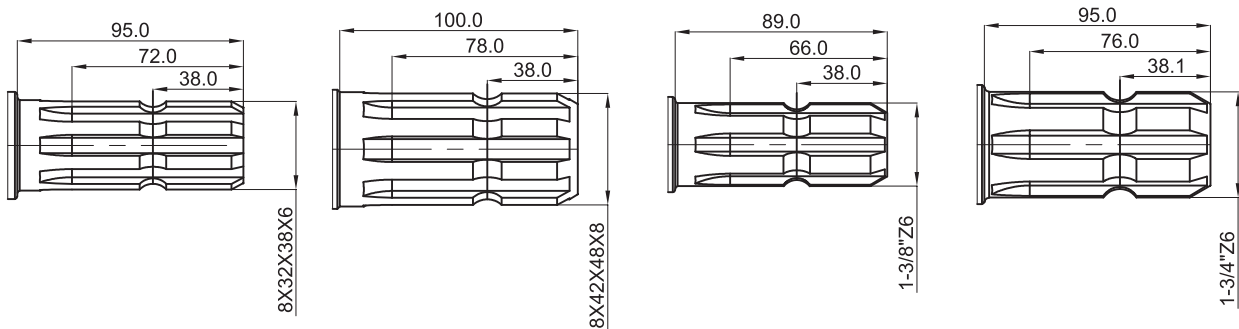
Remark: If you have any special require feel free let me know, we also accept custom.



Dimensions



Shafts

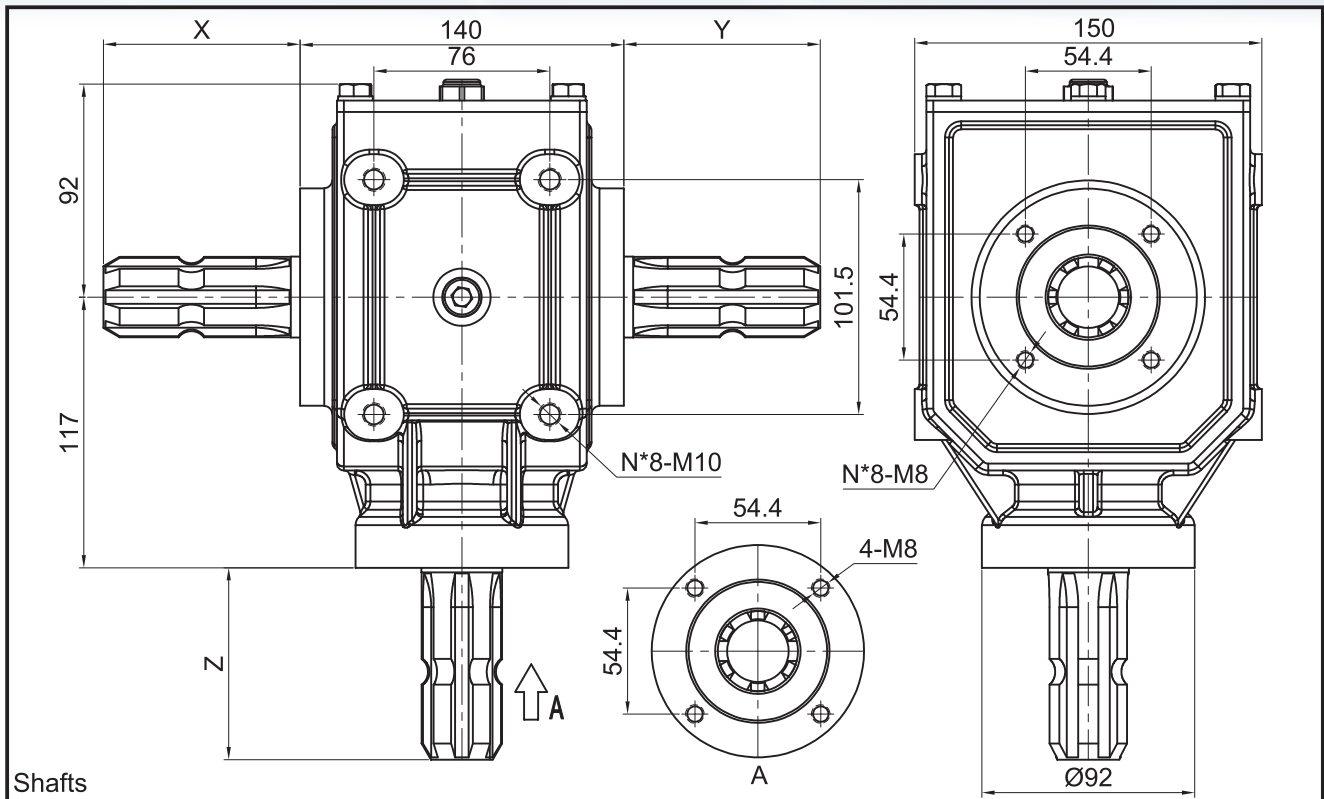


Technical Data

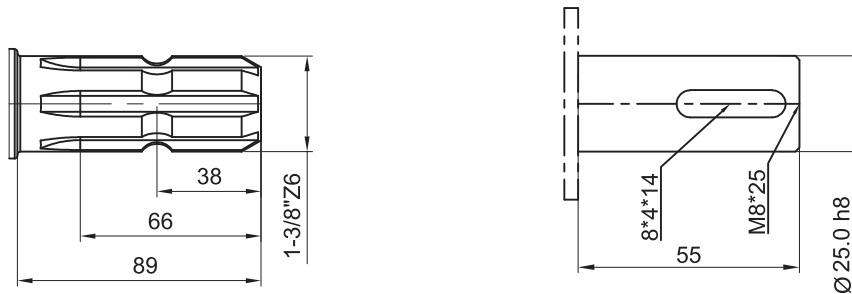
USE	RATIO	INPUT				OUTPUT	
		r.p.m	P Kw	Hp	M N.m	M N.m	r.p.m
SPEED MULTIPLIER	1:2.16	540	130	177	2306	1065	1166
		1000	220	300	2107	973	2160
	1:1.92	540	140	190	2470	1289	1037
		1000	243	330	2316	1209	1920
	1:1.57	540	148	200	2619	1667	848
		1000	257	350	2456	1563	1570

Remark: If you have any special require feel free let me know, we also accept custom.

KLF2021



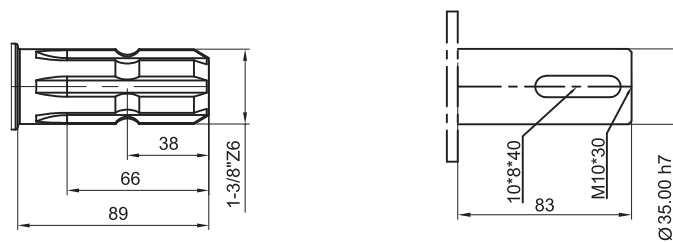
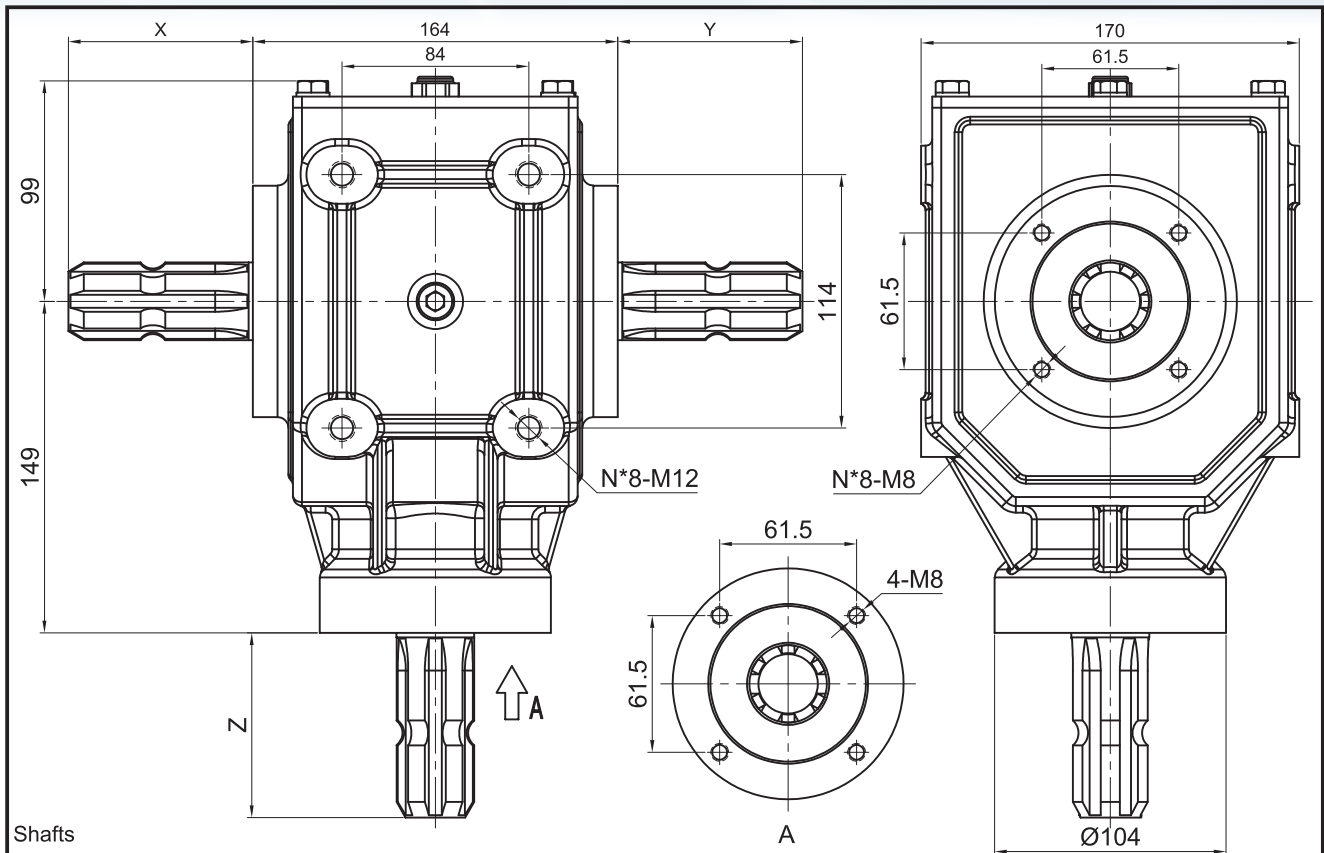
Shafts



USE	RATIO	INPUT			OUTPUT		
		r.p.m	P Kw	Hp	M N.m	M N.m	r.p.m
SPEED MULTIPLIER	1:3.90	540	10	13	169	43	2106
		--	--	--	--	--	--
	1:3.00	540	14	19	247	82	1620
		1000	21	29	204	68	3000
1:2.54	540	17	23	299	118	1372	
	1000	25	34	239	94	2540	
1:2.08	540	21	28	364	175	1123	
	1000	29	40	281	135	2080	
SPEED REDUCER	2.08:1	540	12	16	221	460	260
		1000	18	25	176	365	481
	2.54:1	540	9	12	156	397	213
		1000	13	18	126	321	394
	3.00:1	540	7	9	117	351	180
		1000	10	14	98	295	333
	3.90:1	540	4	5	65	254	138
		1000	6	8	56	219	256

Remark: If you have any special require feel free let me know, we also accept custom.

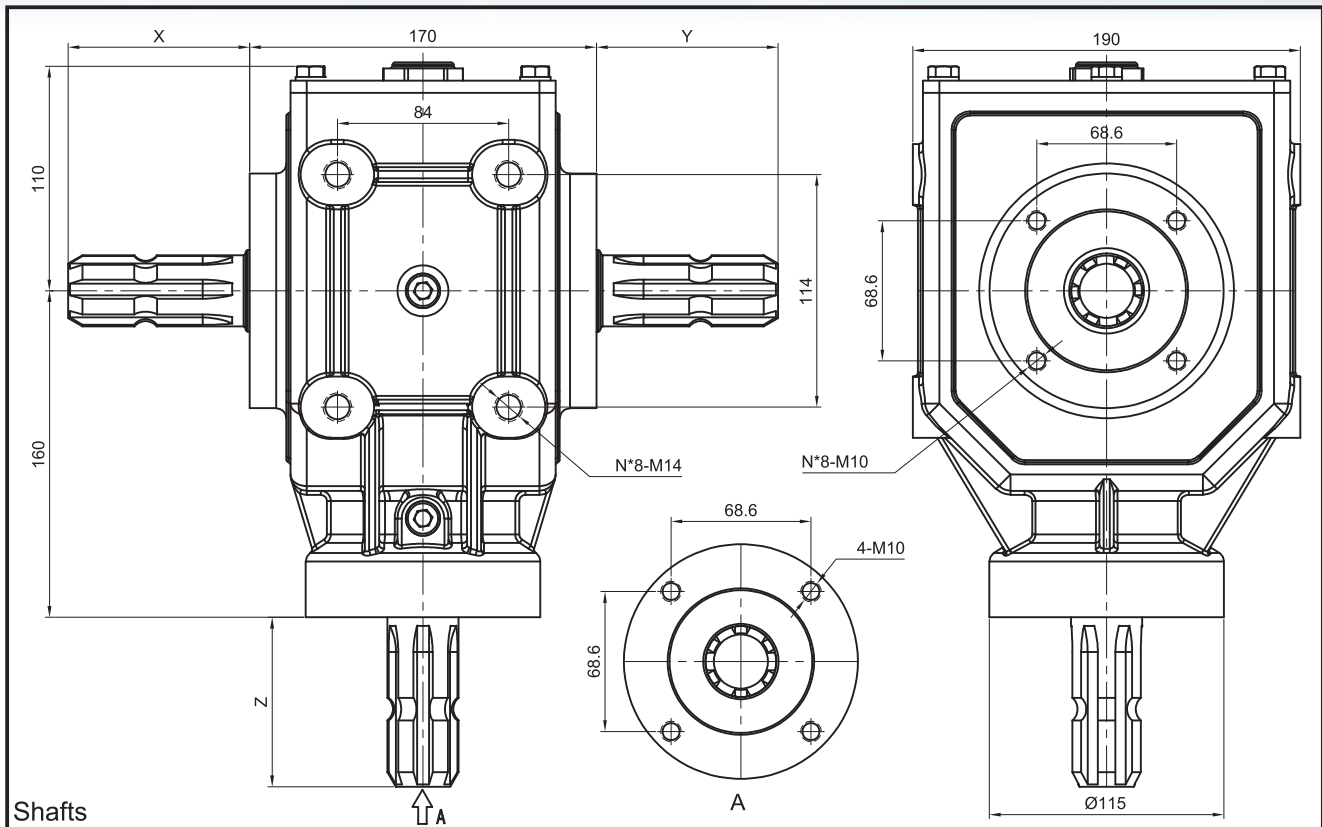
KLF2041



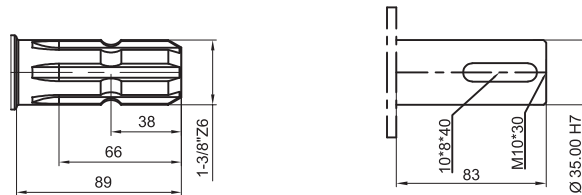
USE	RATIO	INPUT			OUTPUT		
		r.p.m	Kw	Hp	M N.m	M N.m	r.p.m
SPEED MULTIPLIER	1:4.12	540	21	29	377	92	2225
		1000	32	44	309	75	4120
	1:3.10	540	24	33	429	139	1674
		1000	37	51	358	116	3100
	1:2.58	540	28	38	494	192	1393
		1000	43	58	408	158	2580
1:2.08	540	31	42	546	263	1123	
	1000	48	65	457	220	2080	
SPEED REDUCER	2.08:1	540	19	26	338	704	260
		1000	29	40	281	585	481
	2.58:1	540	15	21	273	705	209
		1000	24	32	225	580	388
	3.10:1	540	11	15	195	605	174
		1000	17	23	162	501	323
	4.12:1	540	8	11	143	590	131
		1000	12	16	119	492	243

Remark: If you have any special require feel free let me know, we also accept custom.

KLF2061

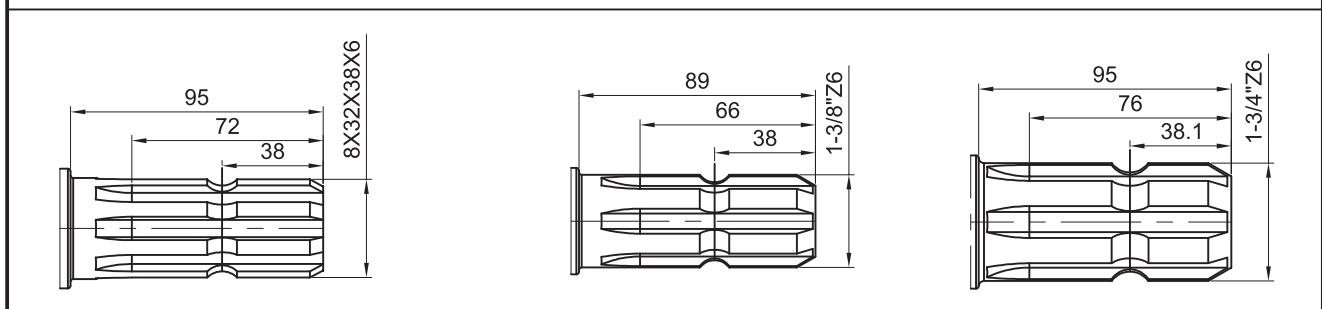
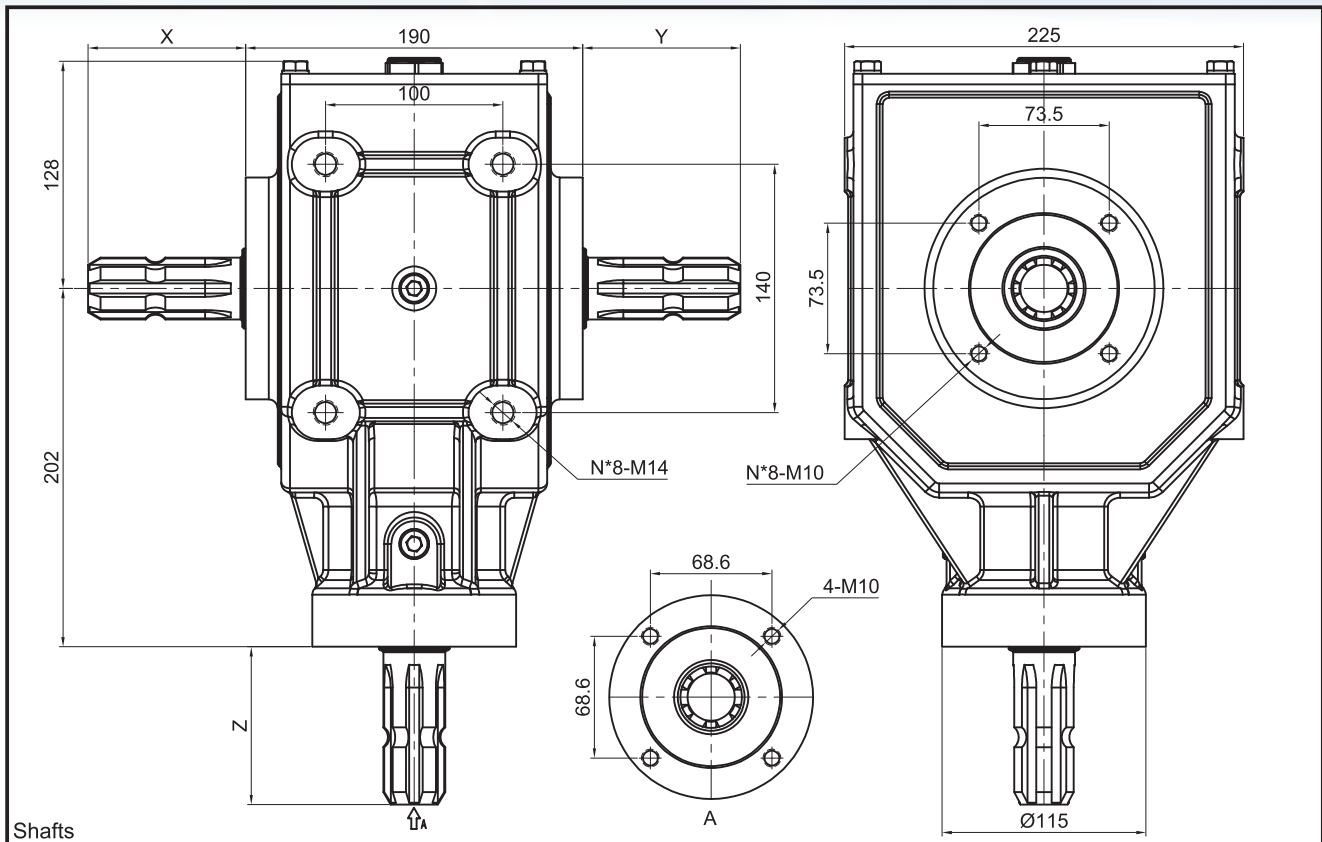


Shafts



USE	RATIO	INPUT				OUTPUT	
		r.p.m	Kw	Hp	M	M	r.p.m
SPEED MULTIPLIER	1:5.33	540	24	32	416	78	2878
		1000	36	49	344	65	5330
	1:4.50	540	29	40	520	116	2430
		1000	45	61	429	95	4500
	1:3.10	540	38	52	677	218	1674
		1000	59	80	562	181	3100
1:2.58	540	38	52	677	262	1393	
	1000	59	80	562	218	2580	
1:1.93	540	38	52	677	351	1042	
	1000	59	80	562	291	1930	
SPEED REDUCER	1.93:1	540	25	34	442	854	280
		1000	38	52	365	705	518
	2.58:1	540	22	30	390	1007	209
		1000	34	46	323	834	388
	3.10:1	540	18	24	312	968	174
		1000	27	37	260	806	323
4.50:1	540	11	15	195	878	120	
	1000	17	23	162	727	222	
5.33:1	540	8	11	143	763	101	
	1000	12	17	119	637	188	

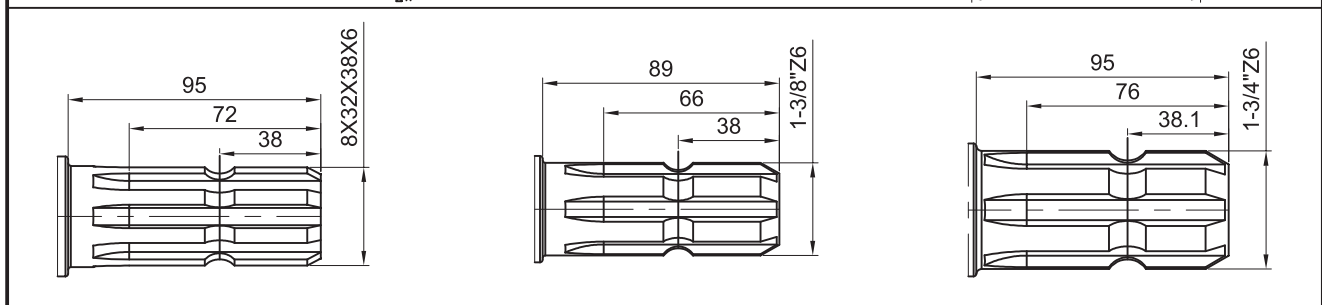
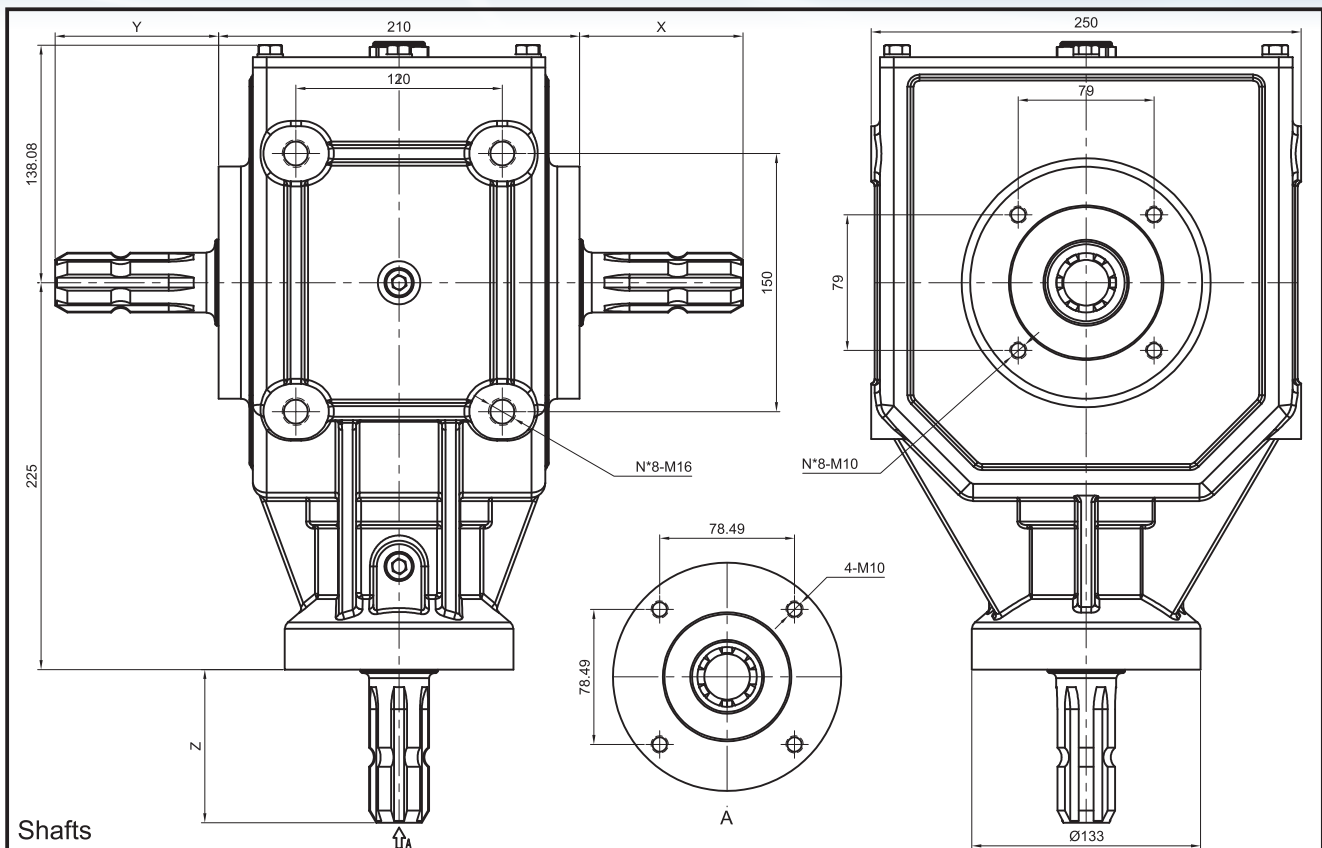
Remark: If you have any special require feel free let me know, we also accept custom.



USE	RATIO	INPUT			OUTPUT		
		r.p.m	Kw	Hp	M	M	r.p.m
SPEED MULTIPLIER	1:4.11	540	45	61	794	193	2219
		1000	69	94	660	161	4110
	1:3.10	540	54	73	950	306	1674
		1000	82	112	787	254	3100
	1:2.58	540	60	82	1067	414	1393
		1000	92	125	878	340	2580
1:1.93	540	60	82	1067	553	1042	
	1000	92	125	878	455	1930	
SPEED REDUCER	1.93:1	540	37	50	651	1256	280
		1000	57	77	541	1044	518
	2.58:1	540	32	44	572	1477	209
		1000	50	68	478	1233	388
	3.10:1	540	24	33	429	1331	174
		1000	37	51	358	1111	323
	4.11:1	540	18	25	325	1337	131
		1000	28	38	267	1097	243

Remark: If you have any special require feel free let me know, we also accept custom.

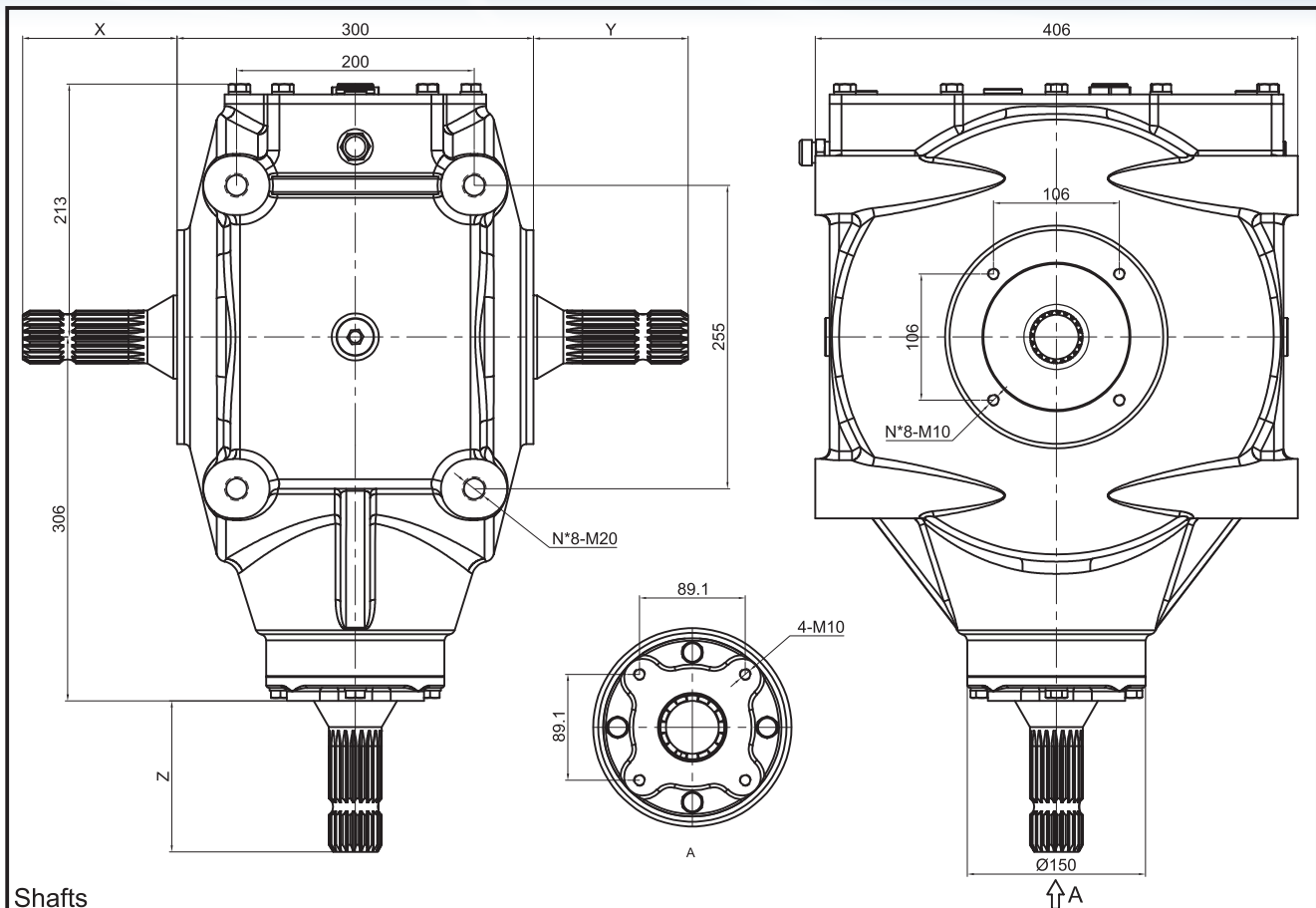
KLF2081



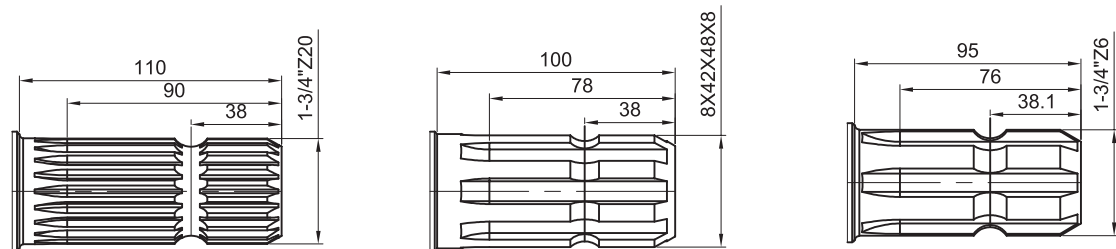
USE	RATIO	INPUT			OUTPUT		
		r.p.m	Kw	Hp	M	M	r.p.m
SPEED MULTIPLIER	1:4.11	540	66	90	1171	285	2219
		1000	101	138	970	236	4110
	1:3.10	540	88	120	1561	504	1674
		1000	136	185	1300	419	3100
	1:2.46	540	88	120	1561	635	1328
		1000	136	185	1300	528	2460
	1:1.93	540	107	145	1887	978	1042
		1000	162	220	1546	801	1930
SPEED REDUCER	1.93:1	540	37	50	651	1256	280
		1000	57	77	541	1044	518
	2.46:1	540	46	63	820	2016	220
		1000	70	95	667	1642	407
	3.10:1	540	40	55	716	2218	174
		1000	62	85	597	1851	323
	4.11:1	540	27	37	481	1979	131
		1000	40	55	386	1588	243

Remark: If you have any special require feel free let me know, we also accept custom.

KLF2201



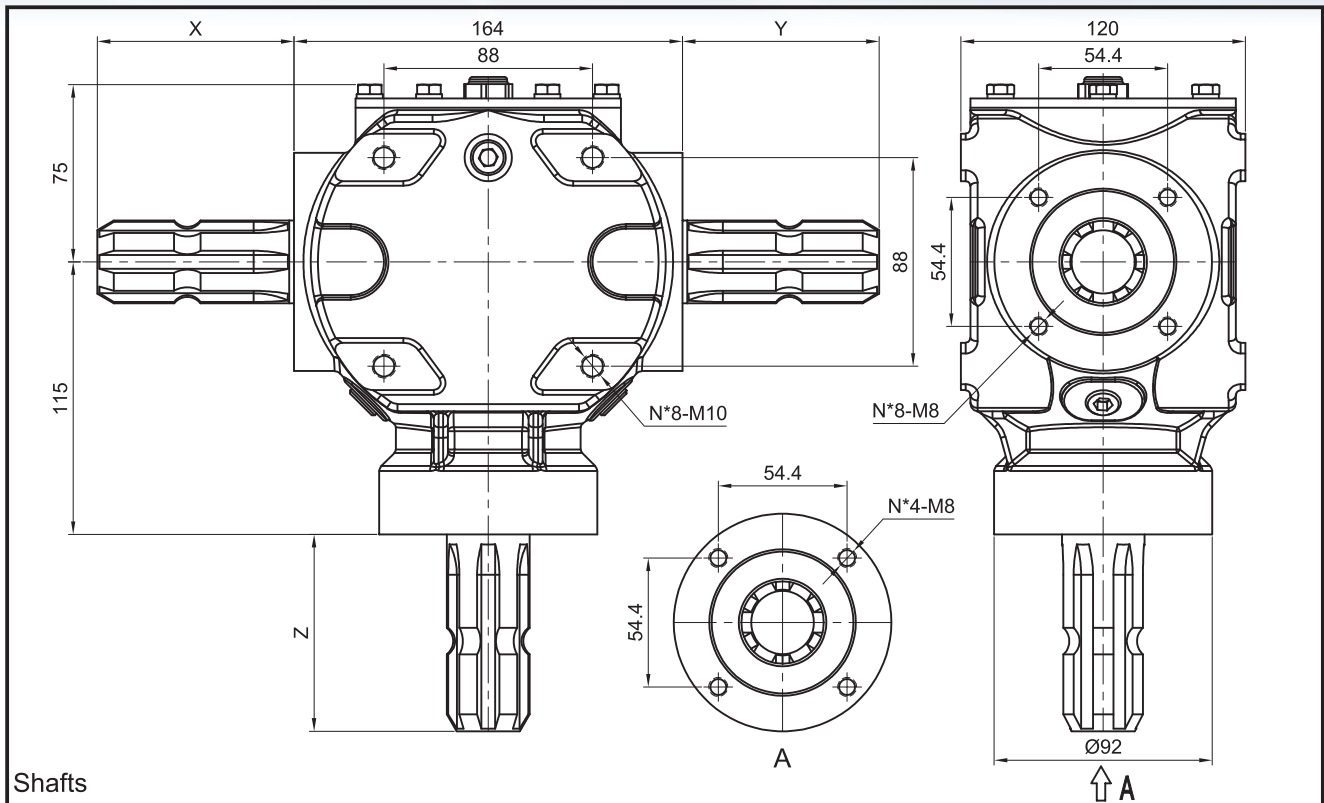
Shafts



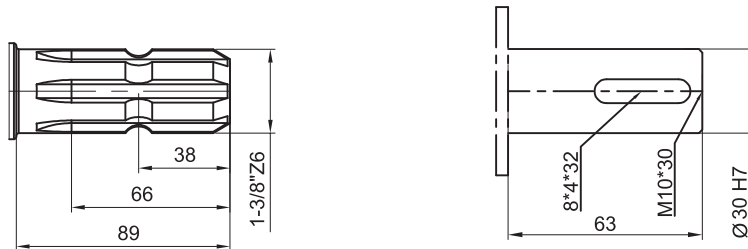
USE	RATIO	INPUT			OUTPUT		
		r.p.m	Kw	Hp	M	M	r.p.m
SPEED REDUCER	1.94:1	540	147	200	2600	5044	278
		1000	220	300	2100	5061	515
	2.41:1	540	120	162	2100	5061	224
		1000	184	250	1755	4230	415
	2.92:1	540	96	130	1690	4935	185
		1000	147	200	1400	4088	342
	2.90:1	540	120	162	2100	6090	186
		1000	184	250	1755	5089	345
	4.12:1	540	74	100	1300	5356	131
		1000	114	155	1090	4490	243
	5.29:1	540	46	62	800	4232	102
		1000	66	90	630	3333	189

Remark: If you have any special require feel free let me know, we also accept custom.

KLF2020



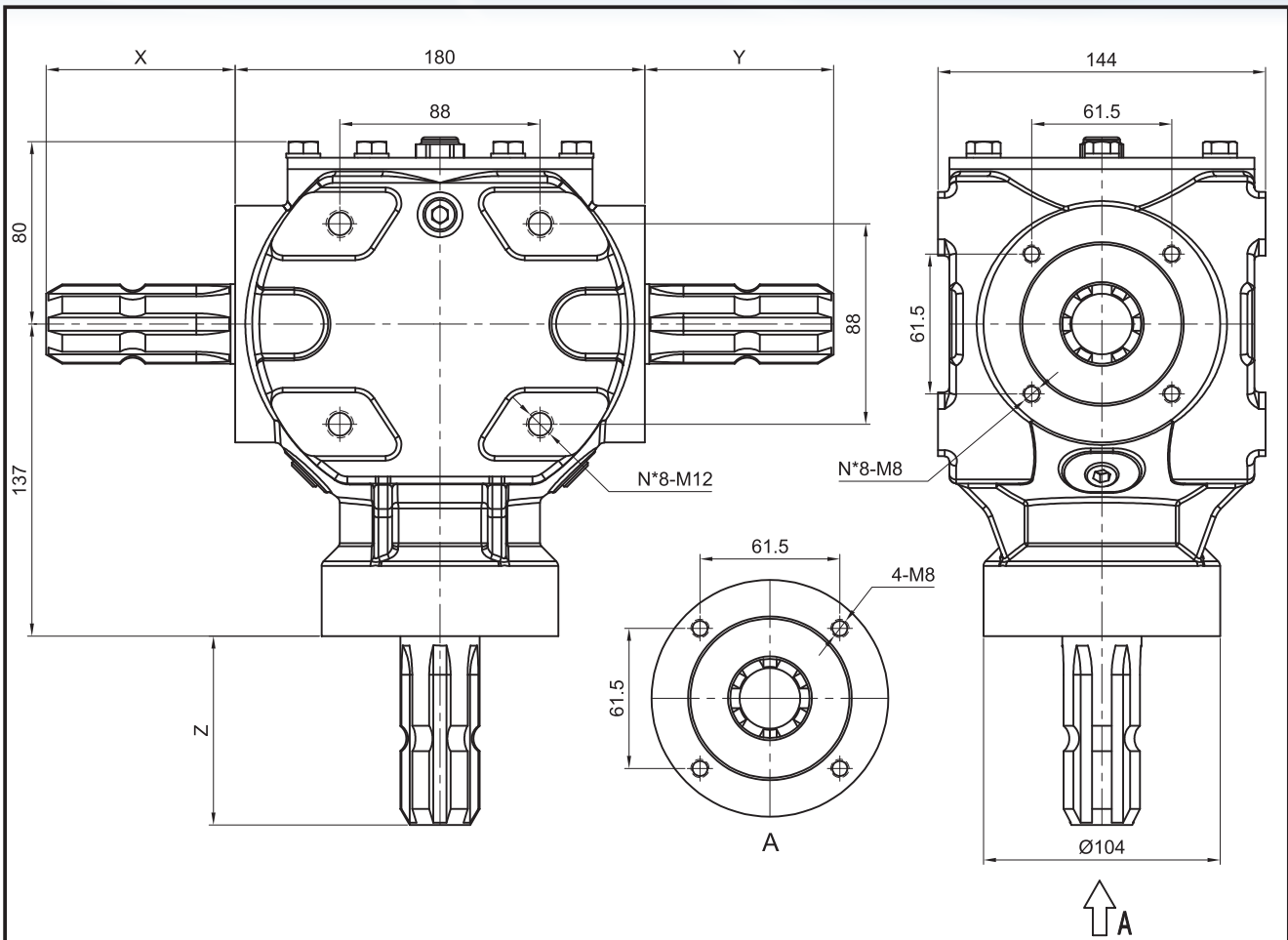
Shafts



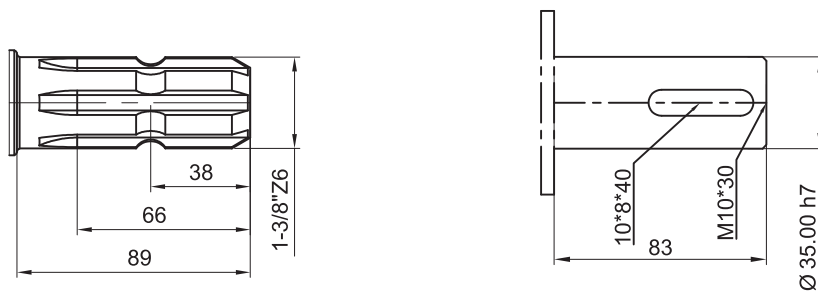
USE	RATIO	INPUT			OUTPUT		
		r.p.m	P Kw	M Hp	M N.m	M N.m	r.p.m
SPEED MULTIPLIER	1:2.78	540	9	12	156	56	1501
		1000	14	19	133	48	2780
	1:1.90	540	14	19	247	130	1026
		1000	21	29	204	107	1900
	1:1.46	540	18	24	312	214	788
		1000	27	37	260	178	1460
	1:1.35	540	19	26	338	251	729
		1000	29	40	281	208	1350
1:1	540	22	30	390	390	540	
	1000	34	46	323	323	1000	
SPEED REDUCER	1.35:1	540	16	22	286	386	400
		1000	25	34	239	322	741
	1.46:1	540	14	19	247	361	370
		1000	21	29	204	297	685
	1.90:1	540	9	12	156	297	284
		1000	13	18	126	240	526
	2.78:1	540	4	6	78	217	194
		1000	7	9	63	176	360

Remark: If you have any special require feel free let me know, we also accept custom.

KLF2030



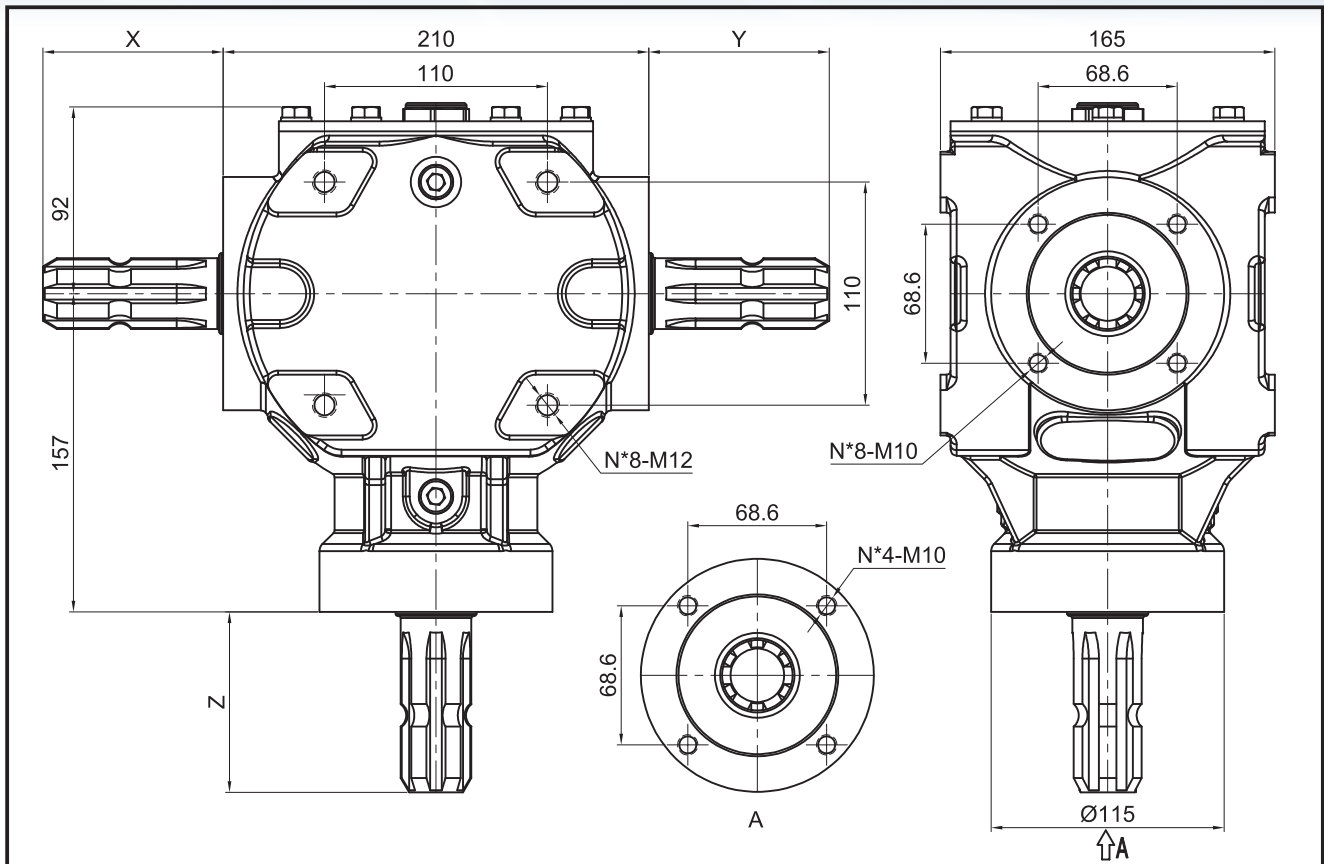
Shafts



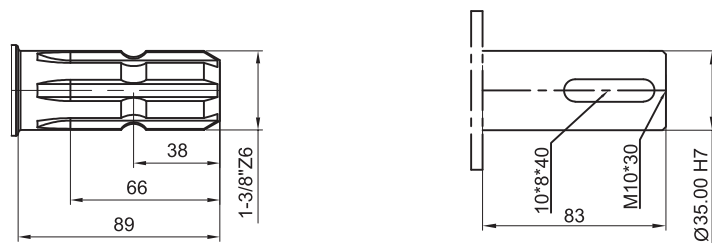
USE	RATIO	INPUT			OUTPUT		
		r.p.m	Kw	Hp	M	M	r.p.m
SPEED MULTIPLIER	1:1.82	540	21	29	364	200	983
		1000	32	44	309	170	1820
	1:1.46	540	26	35	455	312	788
		1000	38	52	365	250	1460
SPEED REDUCER	1:1	540	31	42	546	546	540
		1000	48	65	457	457	1000
	1.46:1	540	20	27	351	513	370
		1000	29	40	281	410	685
1.82:1	540	13	18	234	426	297	
	1000	21	29	204	371	549	

Remark: If you have any special require feel free let me know, we also accept custom.

KLF2050



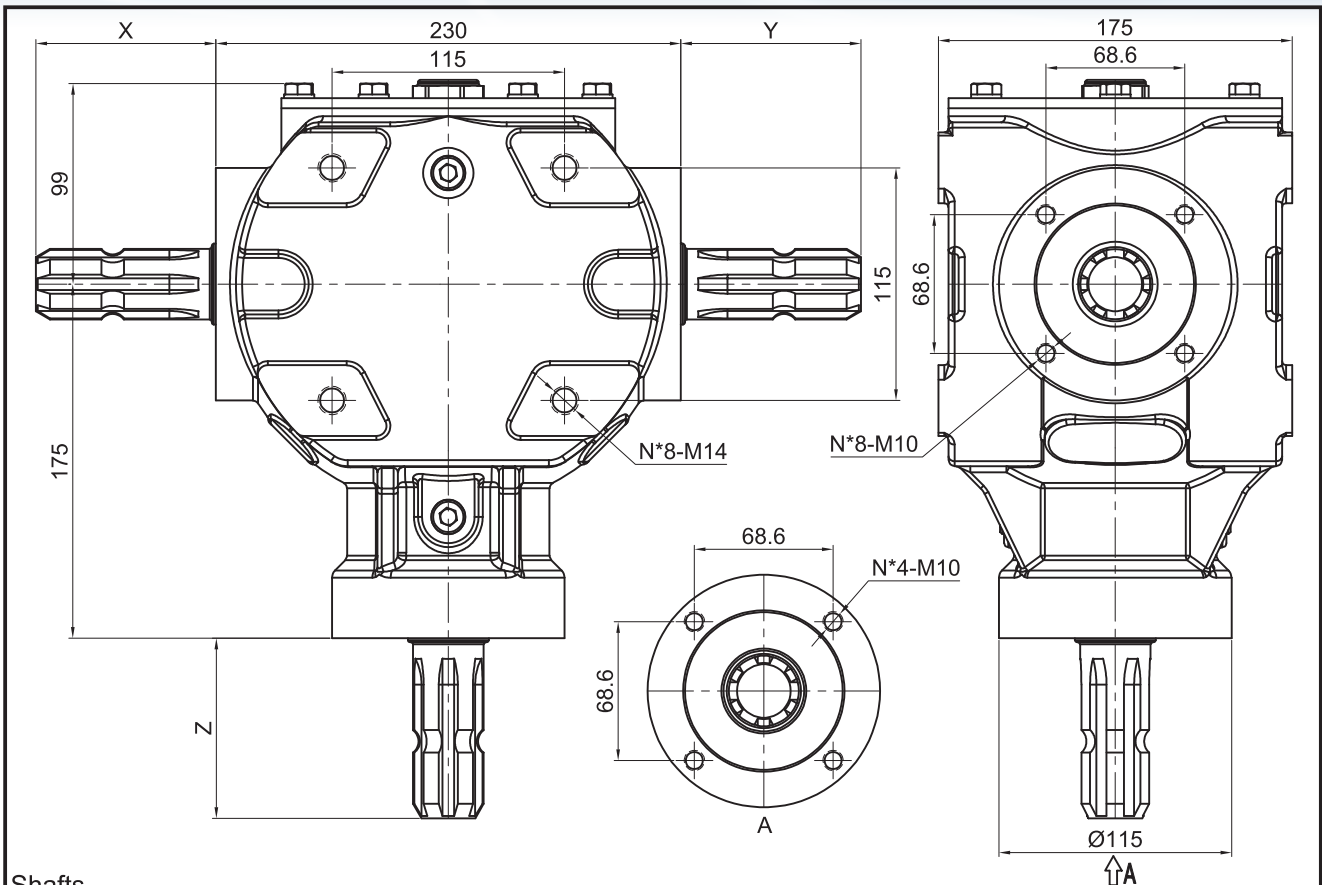
Shafts



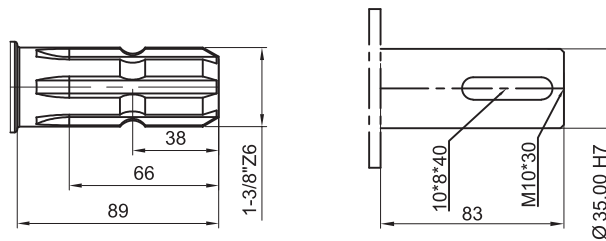
USE	RATIO	INPUT				OUTPUT	
		r.p.m	P Kw	Hp	M N.m	M N.m	r.p.m
SPEED MULTIPLIER	1:2.56	540	21	29	377	147	1382
		1000	33	45	316	124	2560
	1:1.91	540	29	40	520	272	1031
		1000	46	62	436	228	1910
	1:1.46	540	37	50	651	446	788
		1000	57	77	541	371	1460
1:1	540	49	66	859	859	540	
	1000	75	102	717	717	1000	
SPEED REDUCER	1.46:1	540	28	38	494	722	370
		1000	43	58	408	595	685
	1.91:1	540	18	25	325	621	283
		1000	28	38	267	510	524
	2.56:1	540	10	14	182	466	211
		1000	16	22	155	396	391

Remark: If you have any special require feel free let me know, we also accept custom.

KLF2070



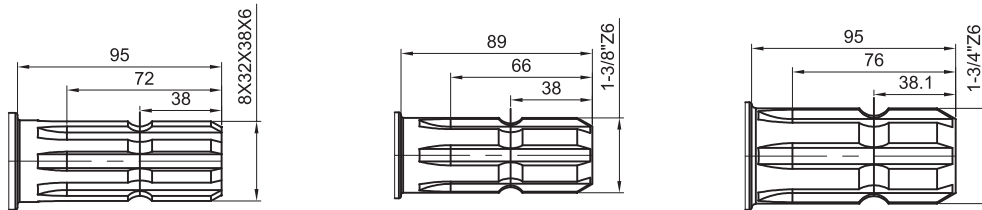
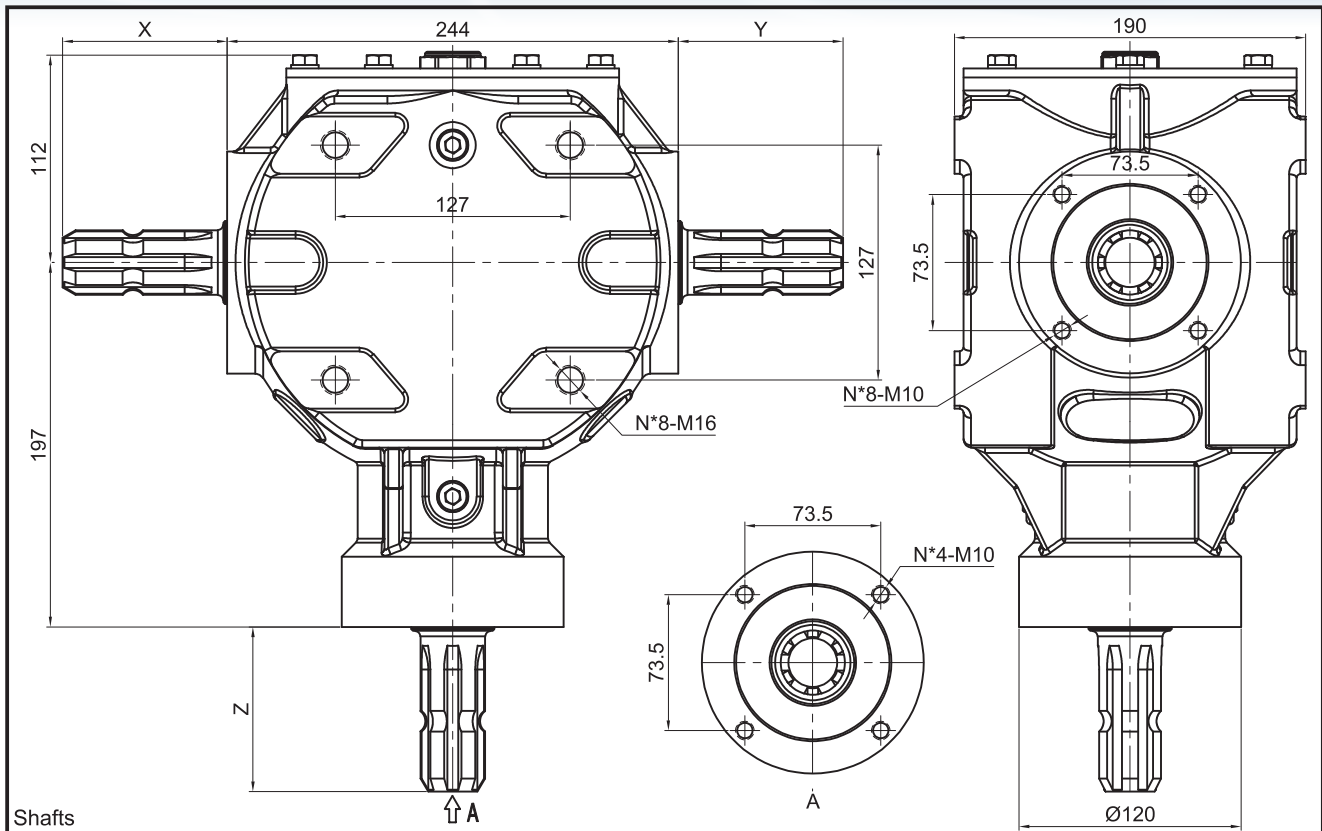
Shafts



USE	RATIO	INPUT				OUTPUT	
		r.p.m	Kw	Hp	M	M	r.p.m
SPEED MULTIPLIER	1:1.92	540	43	58	755	393	1037
		1000	66	90	632	329	1920
	1:1.50	540	60	82	1067	711	810
		1000	93	126	885	590	1500
	1:1.35	540	60	82	1067	790	729
		1000	93	126	885	656	1350
1:1	540	66	90	1171	1171	540	
	1000	99	135	948	948	1000	
SPEED REDUCER	1.35:1	540	48	65	846	1142	400
		1000	74	100	703	948	741
	1.50:1	540	44	60	781	1171	360
		1000	68	92	646	970	667
	1.92:1	540	26	35	455	874	281
		1000	40	54	379	728	521

Remark: If you have any special require feel free let me know, we also accept custom.

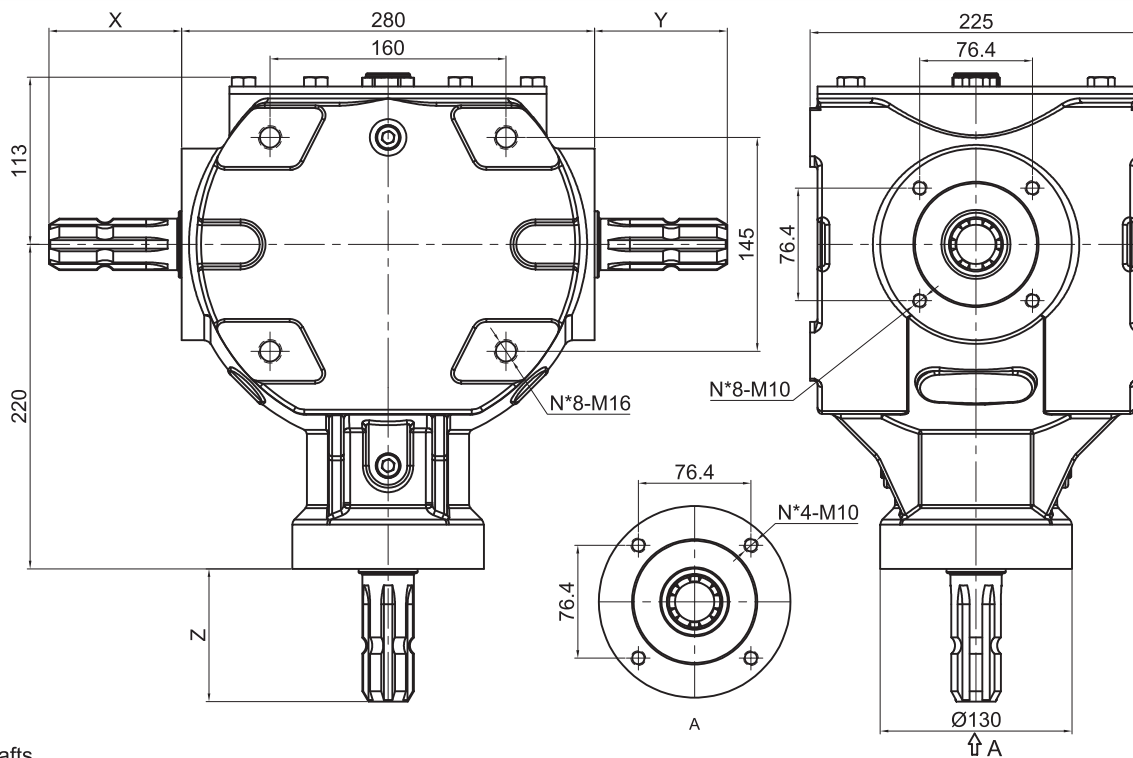
KLF2100



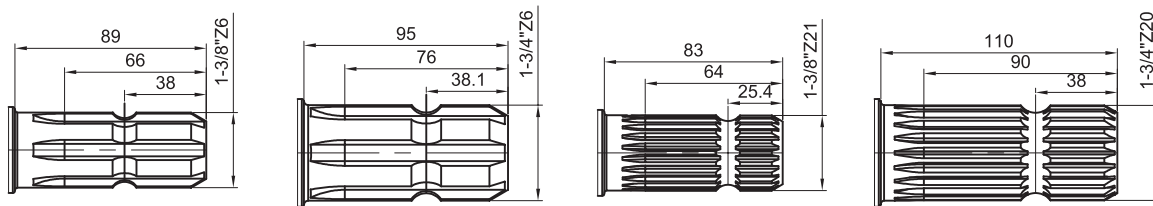
USE	RATIO	INPUT			OUTPUT		
		r.p.m	Kw	Hp	M N.m	M N.m	r.p.m
SPEED MULTIPLIER	1:2.30	540	44	60	781	339	1242
		1000	68	92	646	281	2300
	1:1.92	540	51	70	911	474	1037
		1000	79	108	759	395	1920
	1:1.57	540	67	91	1184	754	848
		1000	103	140	984	627	1570
	1:1.35	540	77	105	1366	1012	729
		1000	118	161	1131	838	1350
	1:1	540	81	110	1431	1431	540
		1000	125	170	1194	1194	1000
SPEED REDUCER	1.35:1	540	62	85	1106	1493	400
		1000	96	130	913	1233	741
	1.57:1	540	49	66	859	1348	344
		1000	74	101	710	1114	637
	1.92:1	540	33	45	585	1124	281
		1000	50	68	478	917	521
	2.30:1	540	26	35	455	1047	235
		1000	40	54	379	873	435

Remark: If you have any special require feel free let me know, we also accept custom.

KLF2125



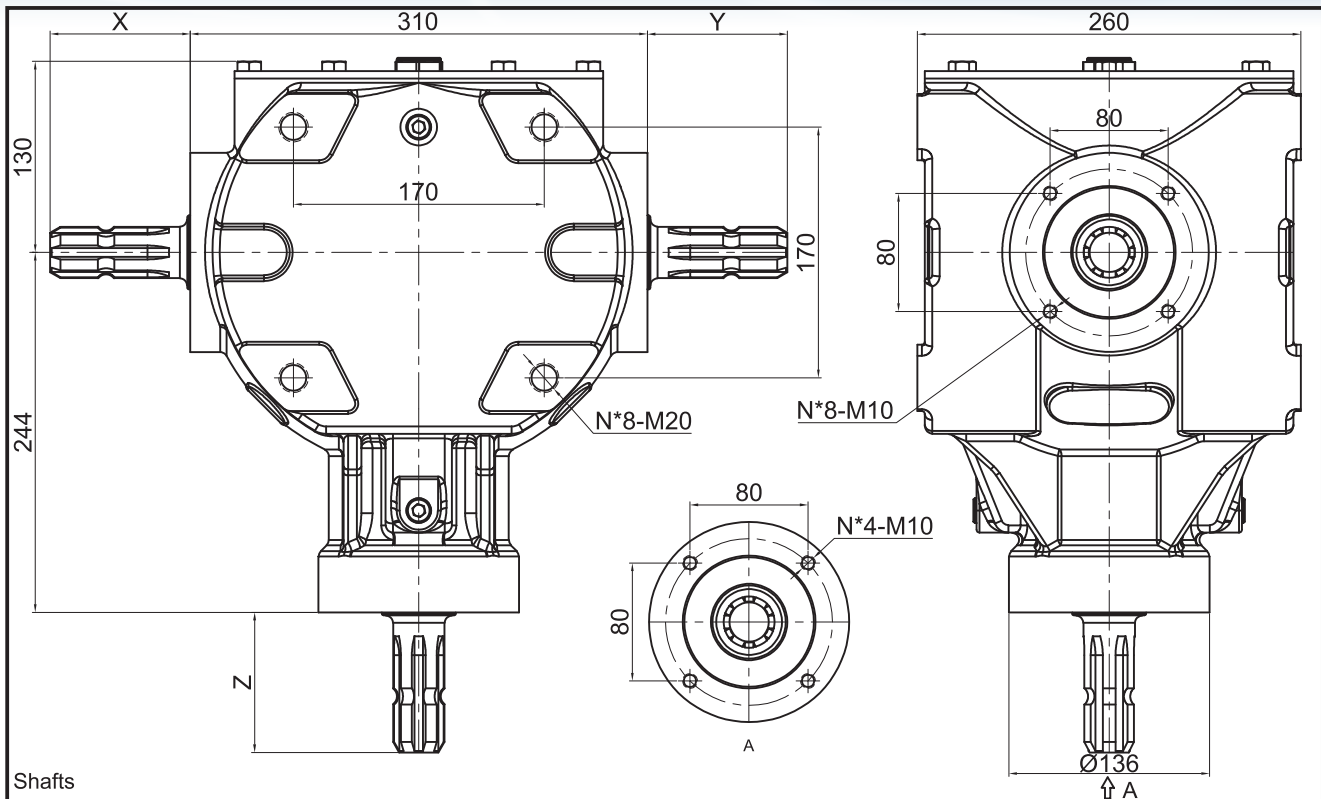
Shafts



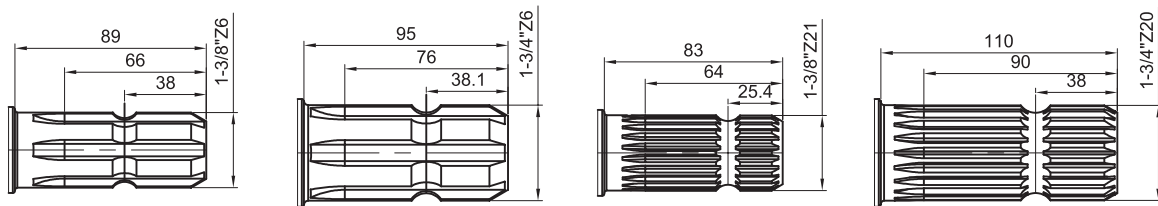
USE	RATIO	INPUT				OUTPUT	
		r.p.m	Kw	Hp	M	M	r.p.m
SPEED MULTIPLIER	1:2.30	540	61	83	1080	468	1246
		1000	94	128	900	390	2308
	1:1.93	540	76	103	1340	694	1042
		1000	117	159	1117	579	1930
	1:1.47	540	98	133	1730	1177	794
1000		152	207	1454	990	1470	
1:1.35	540	101	138	1795	1330	729	
	1000	155	211	1482	1098	1350	
1:1	540	100	137	1782	1782	540	
	1000	155	211	1482	1482	1000	
SPEED REDUCER	1.35:1	540	81	110	1431	1932	400
		1000	124	169	1187	1602	741
	1.47:1	540	75	102	1327	1951	367
		1000	115	157	1102	1621	680
	1.93:1	540	48	65	845	1630	280
		1000	73	100	702	1355	518
	2.30:1	540	34	46	598	1380	234
		1000	52	71	499	1152	433

Remark: If you have any special require feel free let me know, we also accept custom.

KLF2155



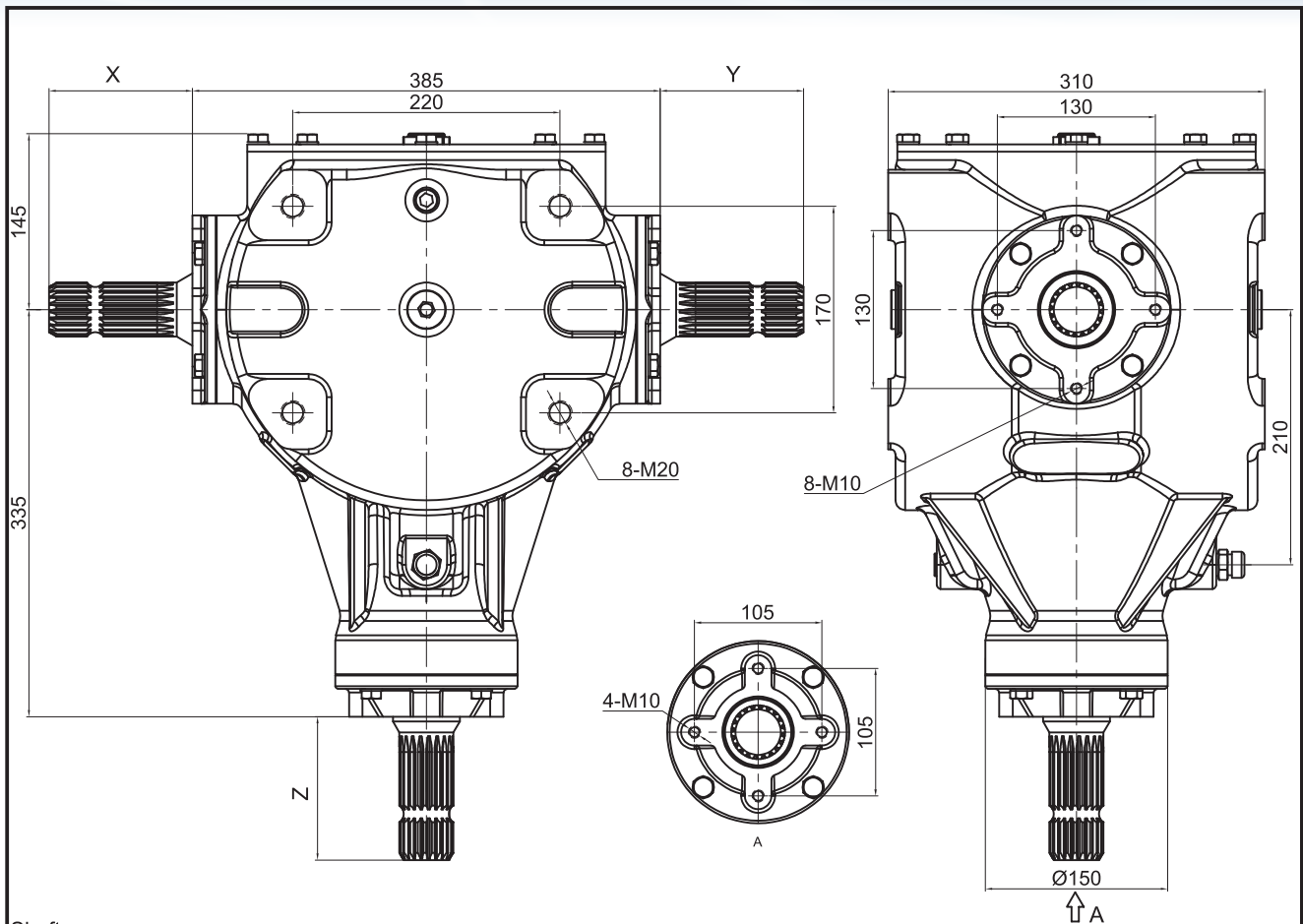
Shafts



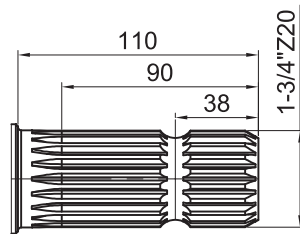
USE	RATIO	INPUT			OUTPUT		
		r.p.m	Kw	Hp	M	M	r.p.m
SPEED MULTIPLIER	1:2.42	540	107	145	1887	780	1307
		1000	164	223	1567	647	2420
	1:1.93	540	121	165	1340	1112	1042
		1000	184	250	1117	910	1930
	1:1.53	540	125	170	2212	1446	826
		1000	192	261	1834	1199	1530
	1:1.25	540	126	172	2238	1790	675
		1000	195	265	1862	1489	1250
1:1	540	121	165	2147	2147	540	
	1000	184	250	1756	1756	1000	
SPEED REDUCER	1.25:1	540	111	151	1965	2456	432
		1000	171	232	1630	2038	800
	1.53:1	540	97	132	1717	2628	353
		1000	149	203	1426	2182	654
	1.93:1	540	81	110	1431	2762	280
		1000	124	169	1187	2292	518
	2.42:1	540	59	80	1041	2519	223
		1000	90	123	864	2019	413

Remark: If you have any special require feel free let me know, we also accept custom.

KLF2200



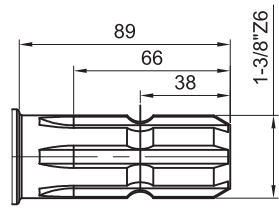
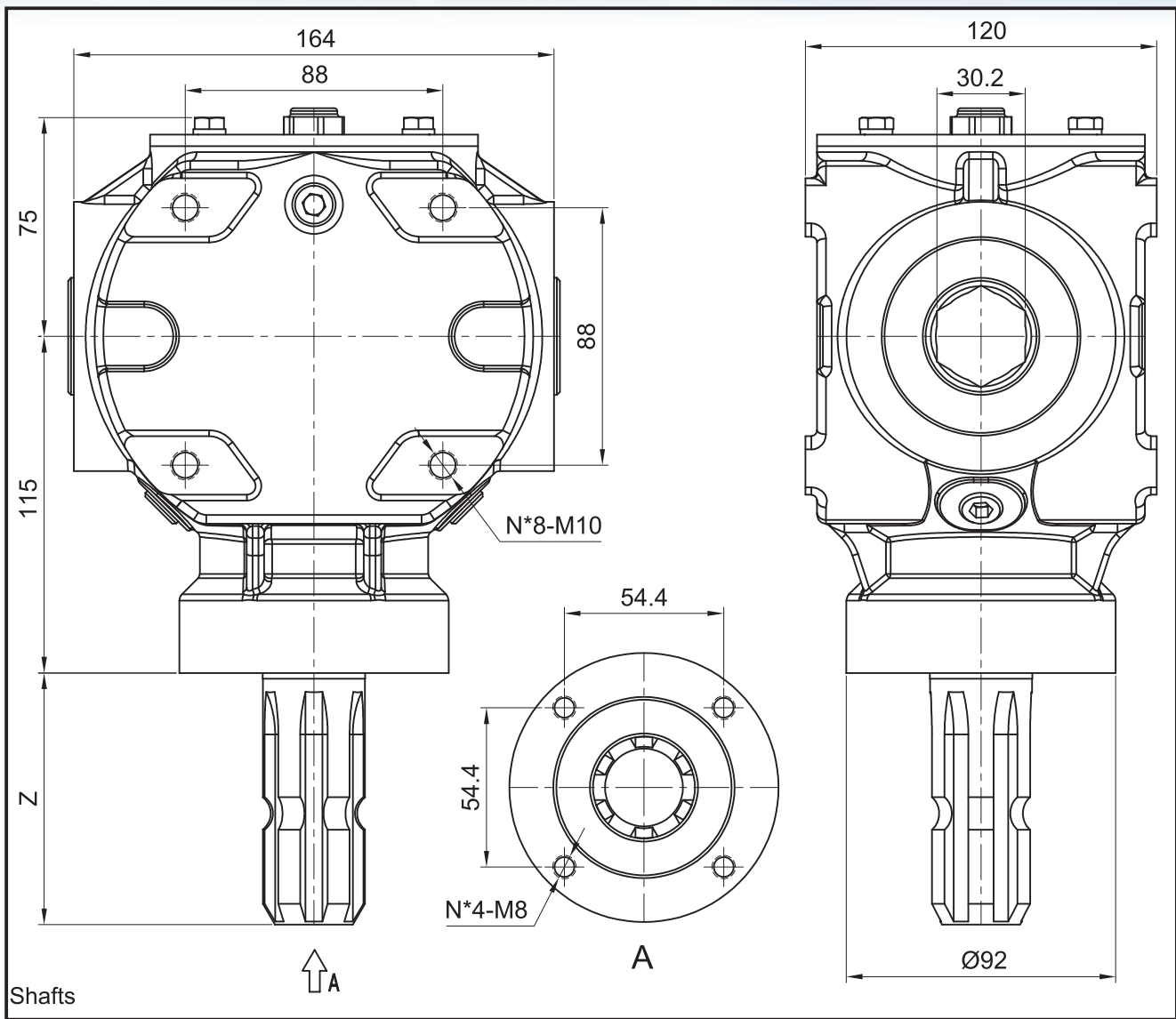
Shafts



USE	RATIO	INPUT			OUTPUT		
		r.p.m	Kw	Hp	M	M	r.p.m
SPEED MULTIPLIER	1:1.53	540	220	275	3578	2339	826
		1000	241	328	2305	1506	1530
	1:1.25	540	190	258	3355	2684	675
		1000	253	344	2415	1932	1250
	1:1	540	176	240	3123	3123	540
		1000	265	360	2529	2529	1000
SPEED REDUCER	1.25:1	540	162	220	2861	3576	432
		1000	235	320	2247	2809	800
	1.53:1	540	147	200	2602	3981	353
1000		213	290	2038	3117	654	

Remark: If you have any special require feel free let me know, we also accept custom.

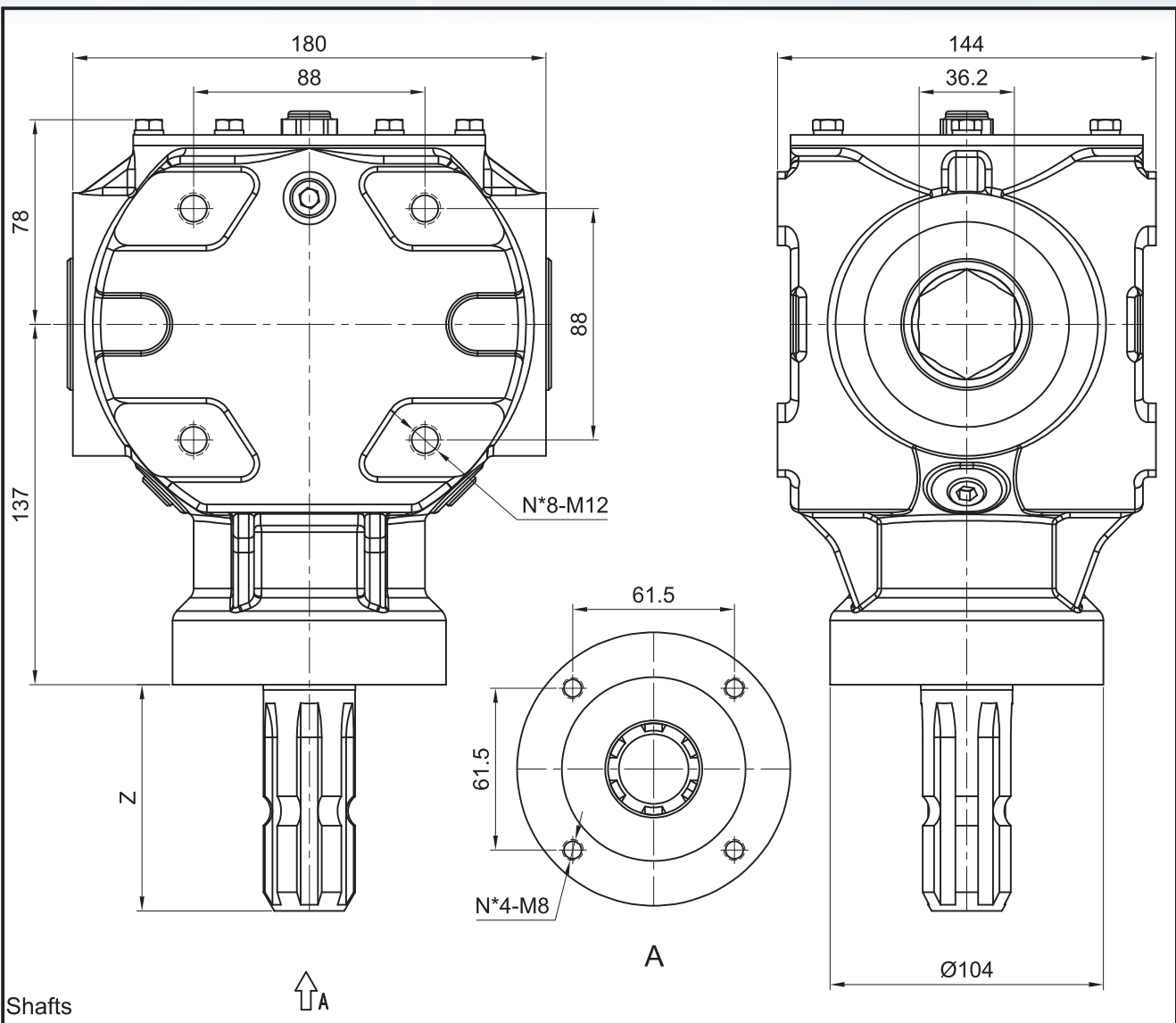
KLF4023



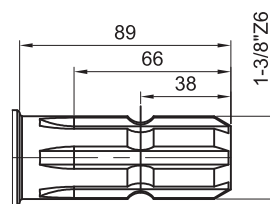
USE	RATIO	INPUT			OUTPUT		
		r.p.m	P Kw	Hp	M N.m	M N.m	r.p.m
SPEED REDUCER	1.35:1	540	15	20	260	351	400
	1.46:1	540	13	18	234	342	370
	1.90:1	540	9	12	156	297	284

Remark: If you have any special require feel free let me know, we also accept custom.

KLF4033



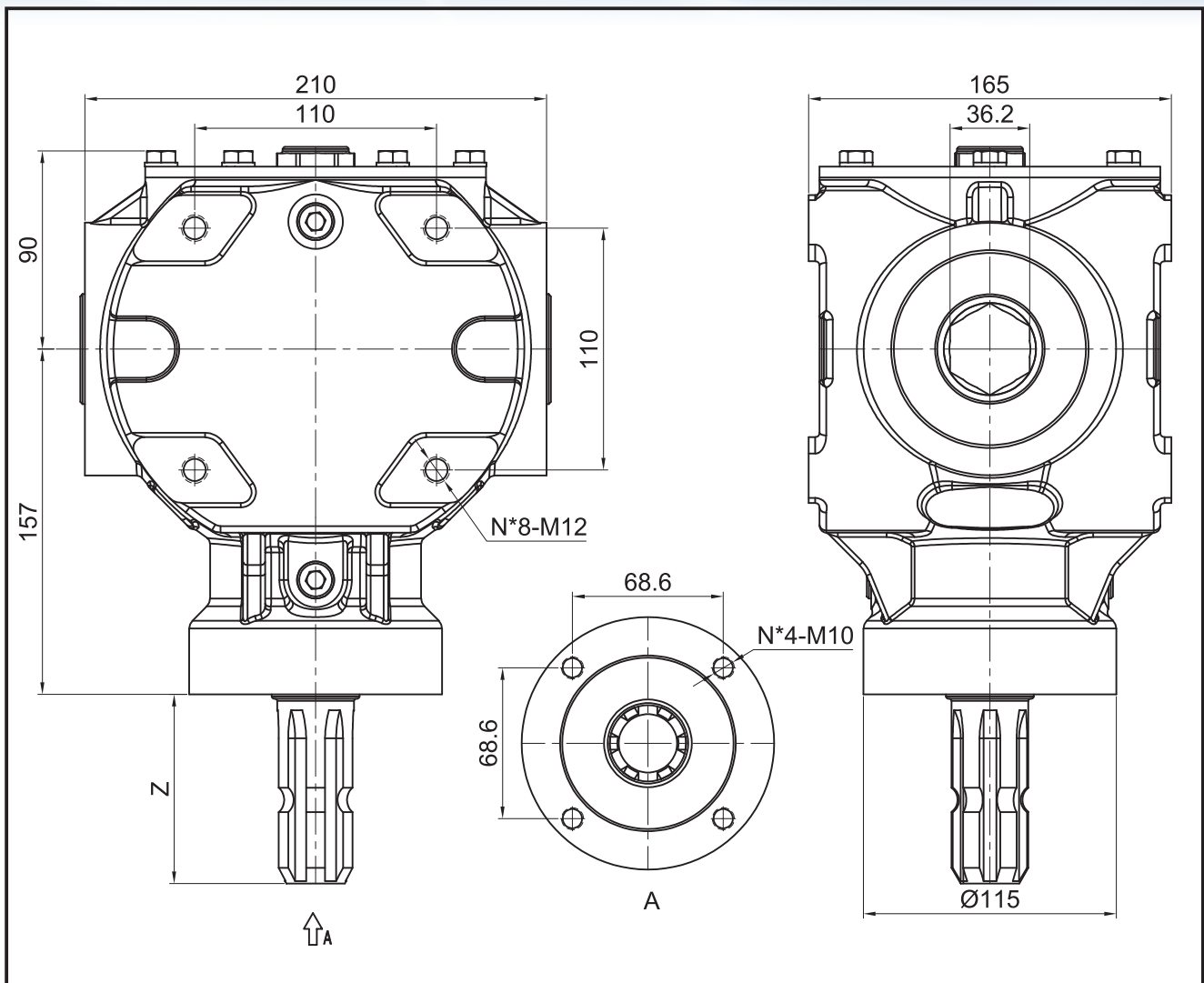
Shafts



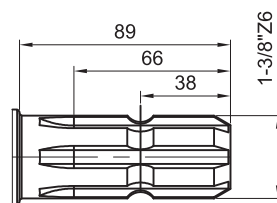
USE	RATIO	INPUT			OUTPUT		
		r.p.m	P Kw	Hp	M N.m	M N.m	r.p.m
SPEED REDUCER	1.46:1	540	19	26	338	494	370
	1.75:1	540	15	20	260	455	309
	1.81:1	540	13	18	234	424	298

Remark: If you have any special require feel free let me know, we also accept custom.

KLF4053



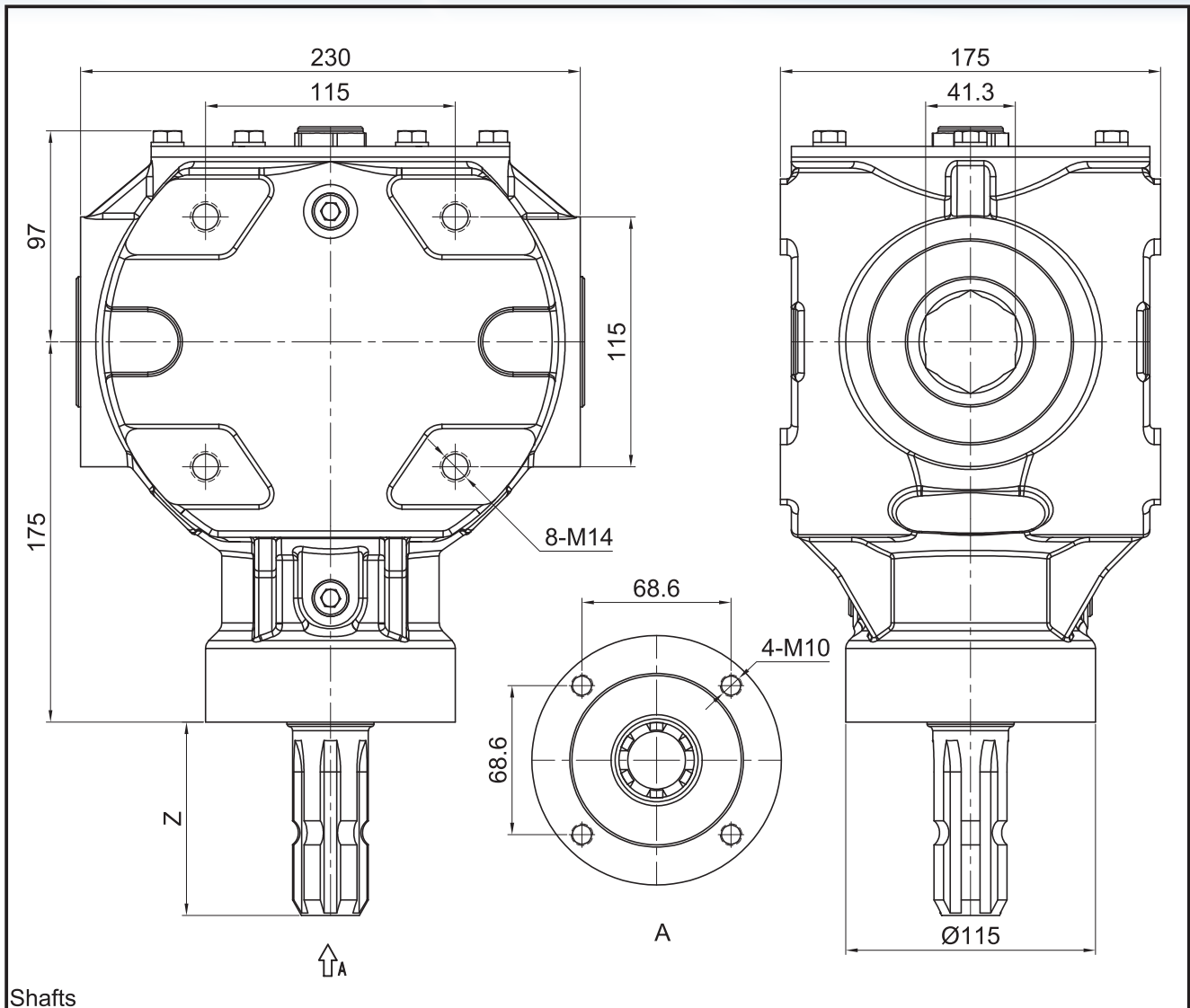
Shafts



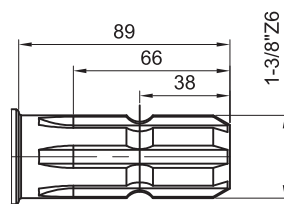
USE	RATIO	INPUT			OUTPUT		
		r.p.m	P Kw	Hp	M N.m	M N.m	r.p.m
SPEED REDUCER	1.46:1	540	35	48	625	912	370
	1.69:1	540	29	40	520	880	320
	1.91:1	540	24	32	416	795	283

Remark: If you have any special require feel free let me know, we also accept custom.

KLF4073



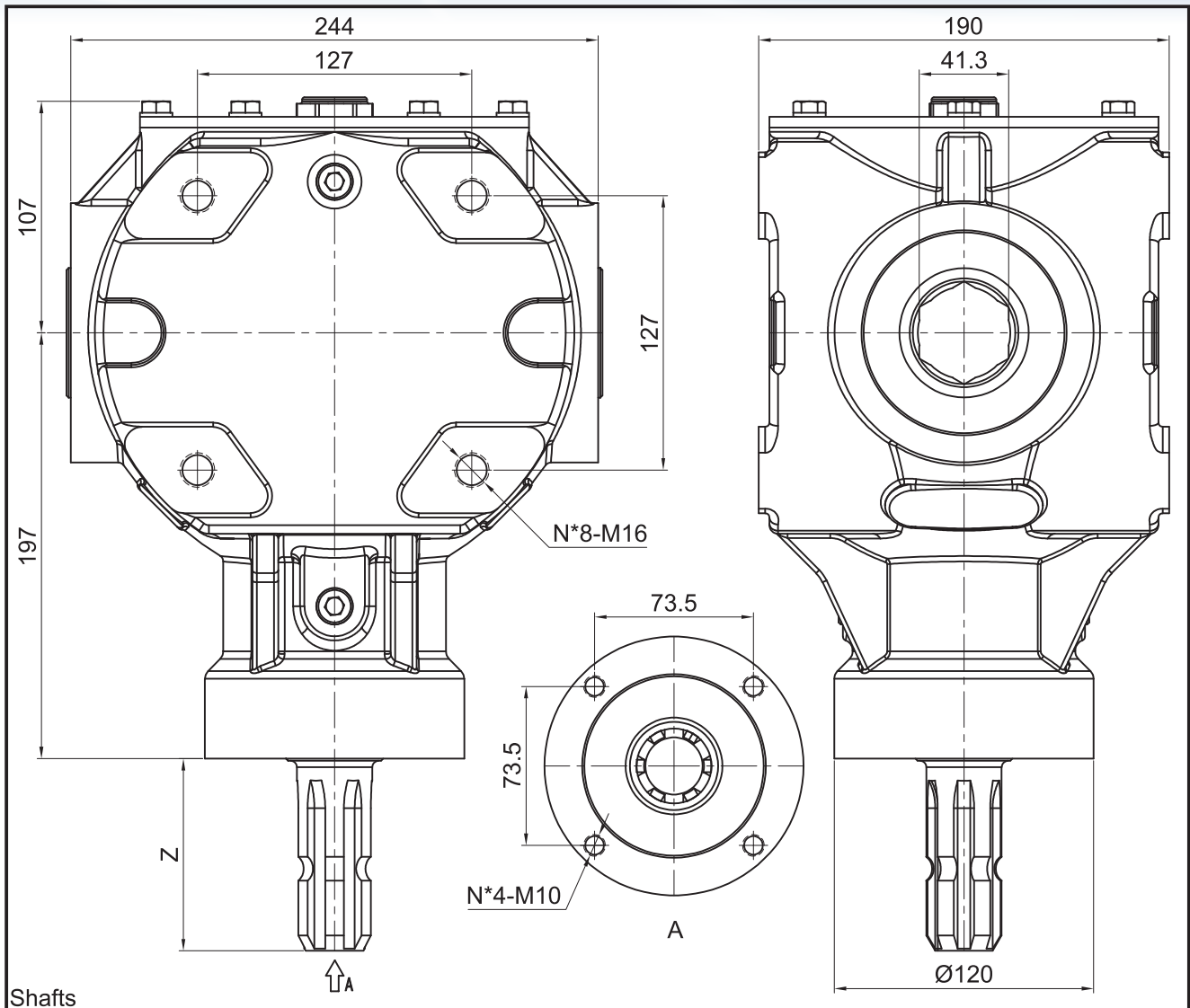
Shafts



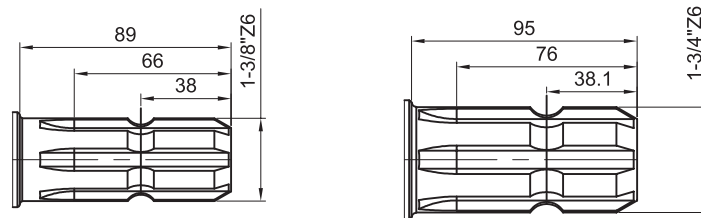
USE	RATIO	INPUT			OUTPUT		
		r.p.m	P Kw	Hp	M N.m	M N.m	r.p.m
SPEED REDUCER	1.50:1	540	40	54	703	1054	360
	1.92:1	540	27	37	481	924	281

Remark: If you have any special require feel free let me know, we also accept custom.

KLF4083



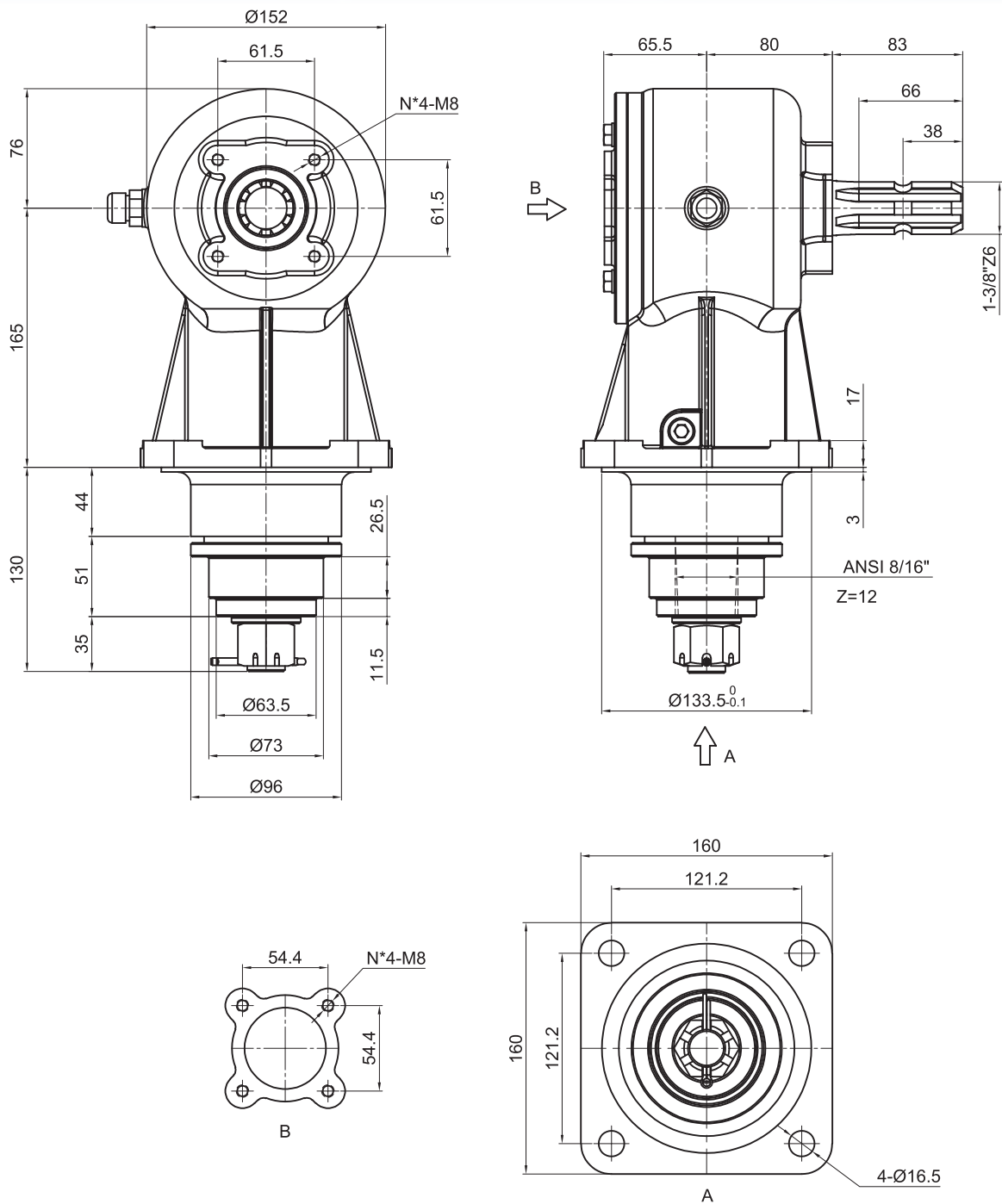
Shafts



USE	RATIO	INPUT			OUTPUT		
		r.p.m	P Kw	M Hp	M N.m	M N.m	r.p.m
SPEED REDUCER	1.57:1	540	49	66	859	1348	344
	1.92:1	540	33	45	585	1124	281

Remark: If you have any special require feel free let me know, we also accept custom.

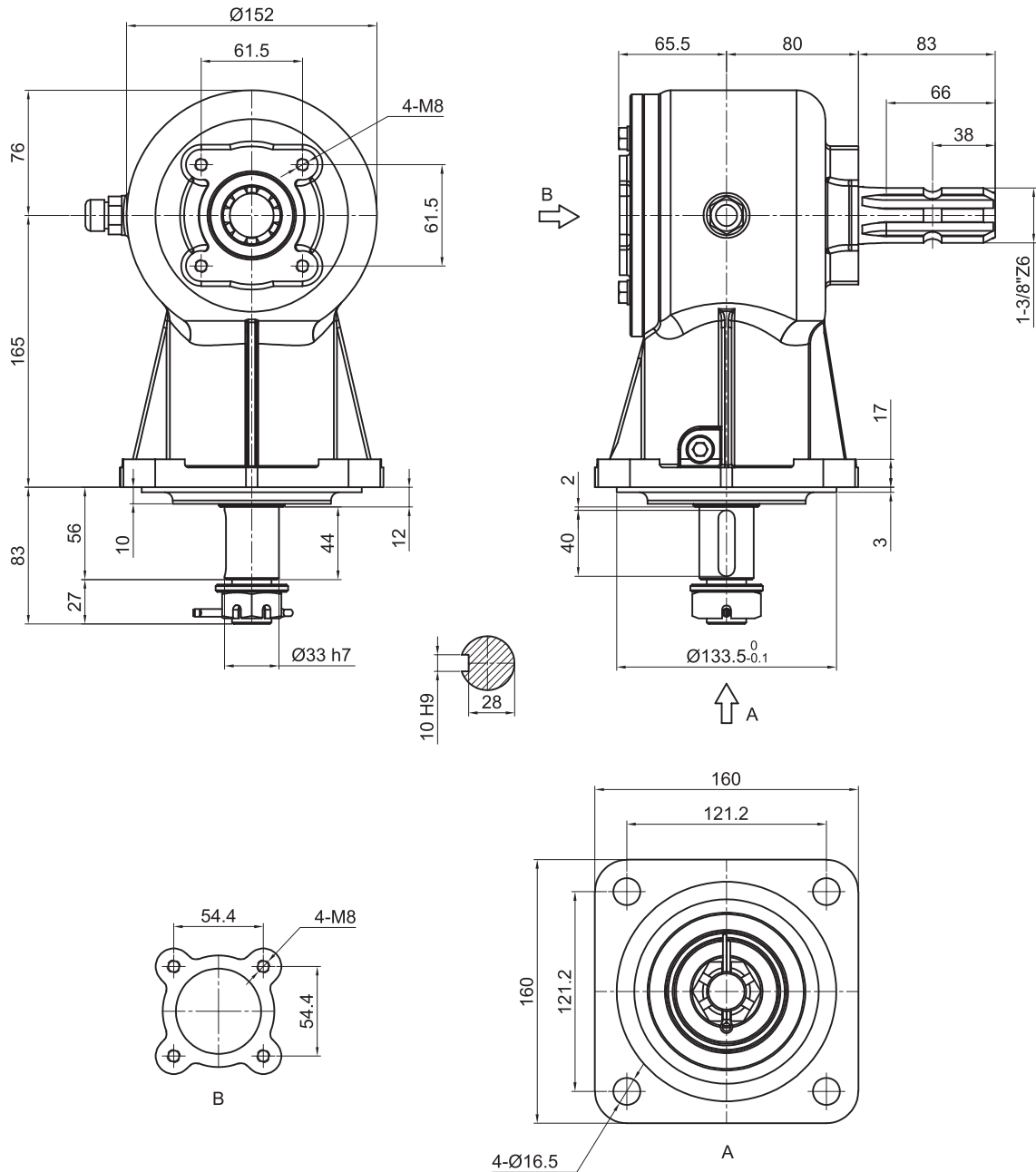
KLF3035



USE	RATIO	INPUT			OUTPUT		
		r.p.m	P Kw	Hp	M N.m	M N.m	r.p.m
SPEED MULTIPLIER	1:2.30	540	20	27	350	150	1242
	1:1.92	540	23	32	420	220	1037
	1:1.47	540	29	40	520	350	794

Remark: If you have any special require feel free let me know, we also accept custom.

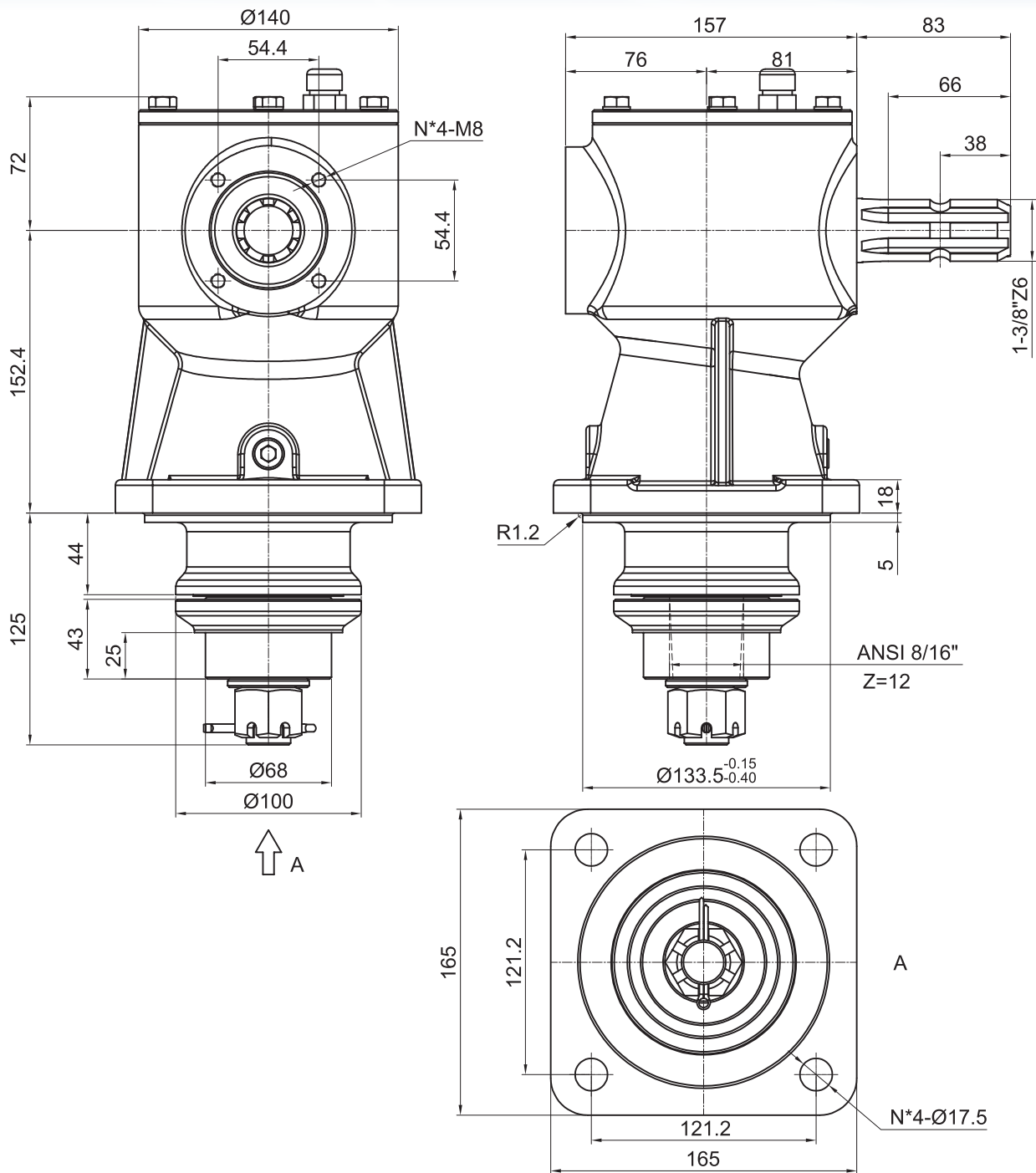
KLF3035-2



USE	RATIO	INPUT			OUTPUT		
		r.p.m	P Kw	Hp	M N.m	M N.m	r.p.m
SPEED MULTIPLIER	1:2.82	540	15	20	260	90	1523

Remark: If you have any special require feel free let me know, we also accept custom.

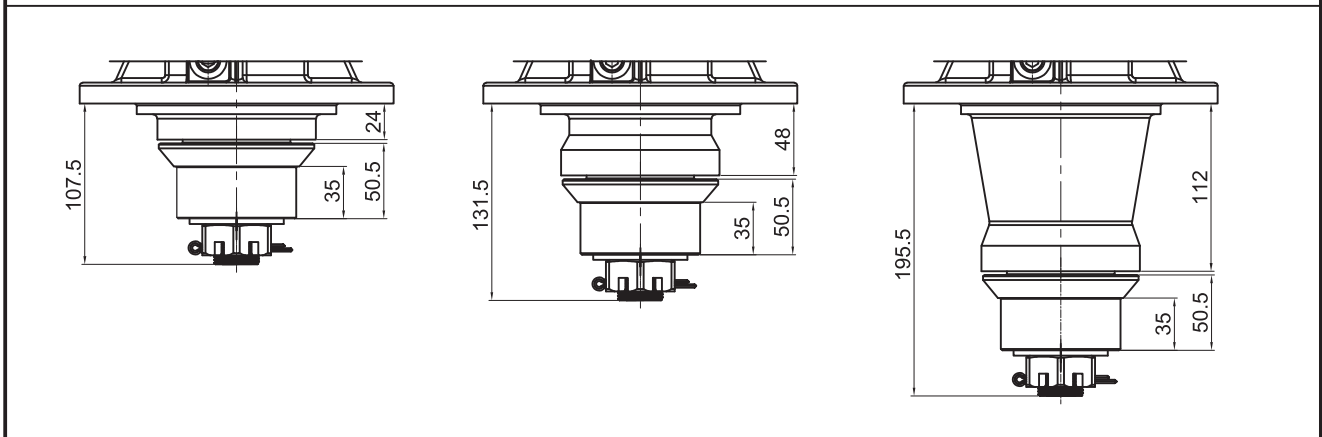
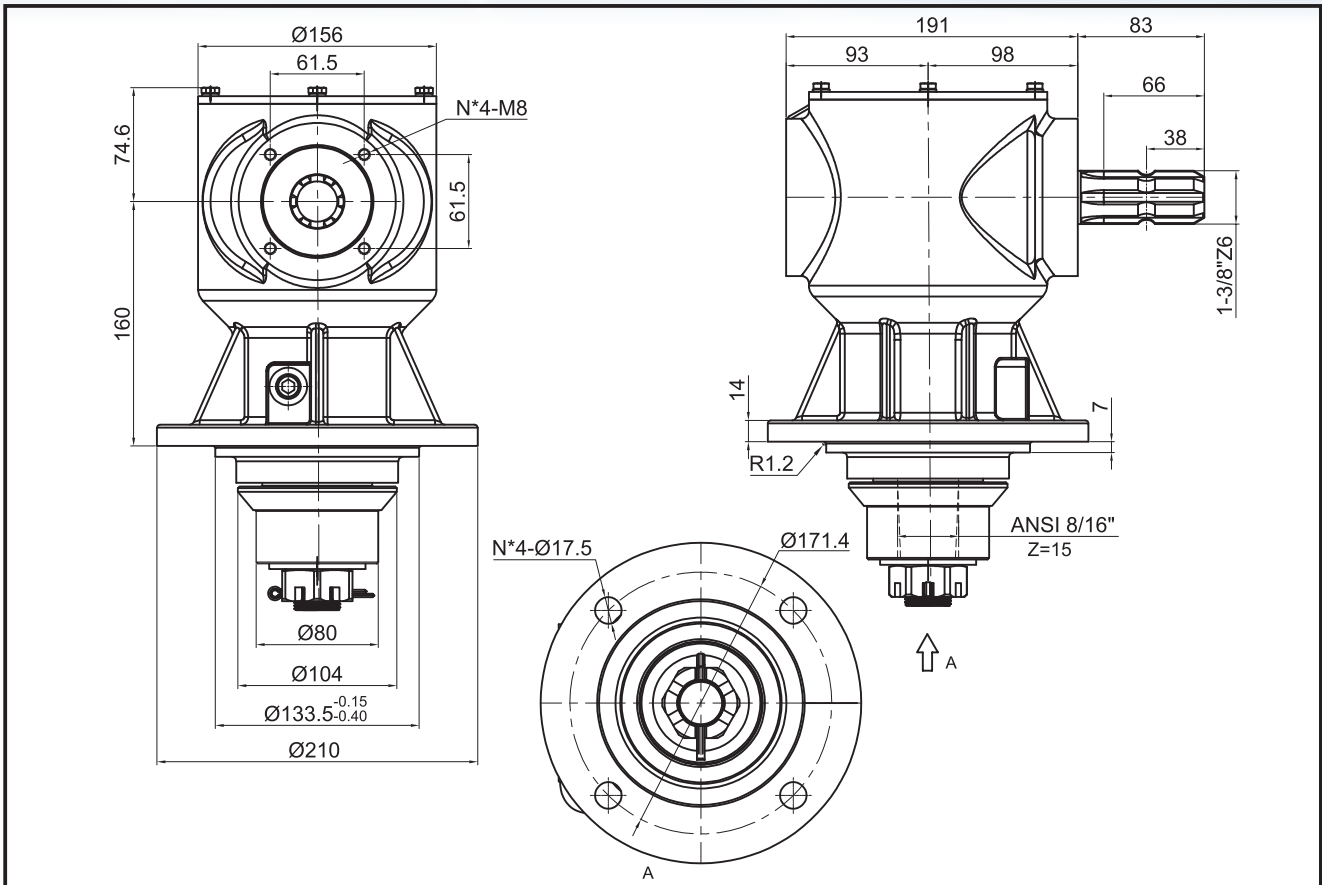
KLF3040



USE	RATIO	INPUT				OUTPUT	
		r.p.m	P Kw	M Hp	M N.m	M N.m	r.p.m
SPEED MULTIPLIER	1:1.90	540	22	30	390	205	1026
		1000	34	46	324	271	1900
	1:1.66	540	26	36	468	282	896
		1000	41	56	389	235	1660
	1:1.50	540	29	40	520	347	810
		1000	45	62	433	288	1500

Remark: If you have any special require feel free let me know, we also accept custom.

KLF3050

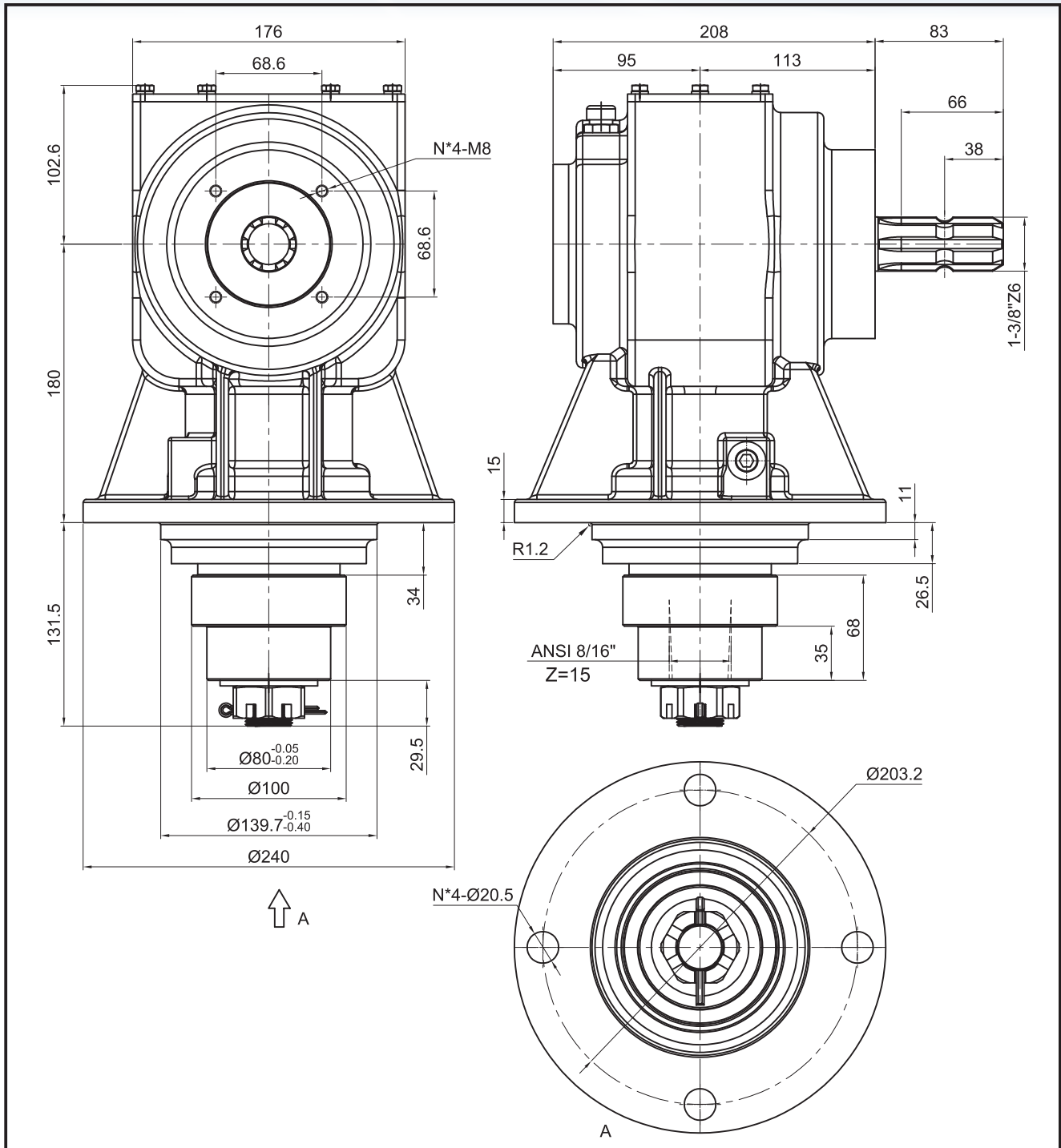


USE	RATIO	INPUT			OUTPUT		
		r.p.m	Kw	Hp	M	M	r.p.m
SPEED MULTIPLIER	1:2.15	540	29	40	520	242	1161
		1000	45	62	433	201	2150
	1:1.86	540	33	45	585	315	1003
		1000	51	70	487	262	1860
	1:1.67	540	37	50	650	390	900
		1000	57	77	541	324	1670
	1:1.47	540	40	55	715	487	792
		1000	62	85	595	405	1470
	1:1.25	540	44	60	780	624	675
		1000	68	93	649	519	1250

Remark: If you have any special require feel free let me know, we also accept custom.



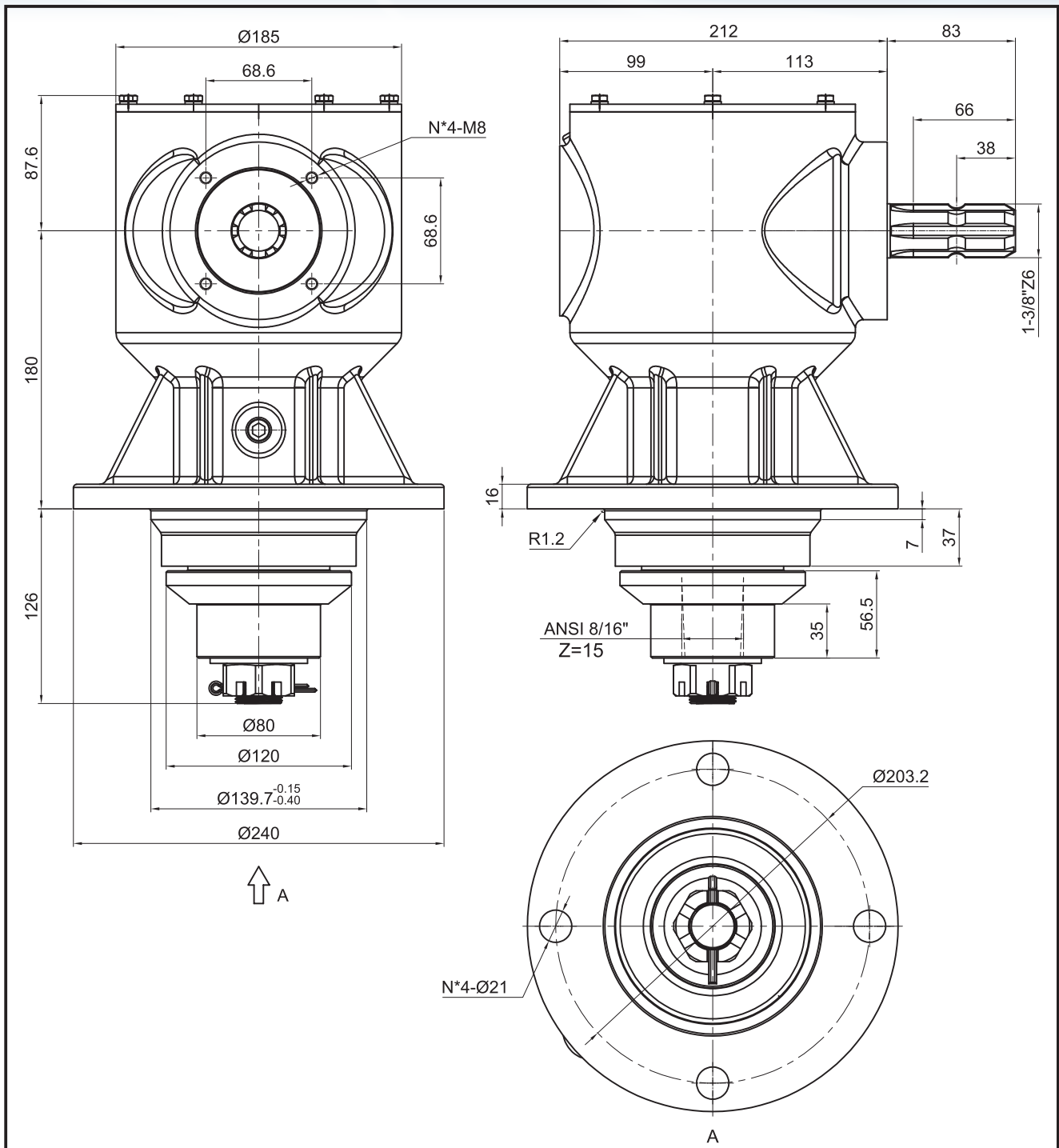
KLF3065



USE	RATIO	INPUT			OUTPUT		
		r.p.m	P Kw	M Hp	M N.m	M N.m	r.p.m
SPEED MULTIPLIER	1:1.92	540	48	65	845	440	1037
	1:1.50	540	53	72	936	624	810

Remark: If you have any special require feel free let me know, we also accept custom.

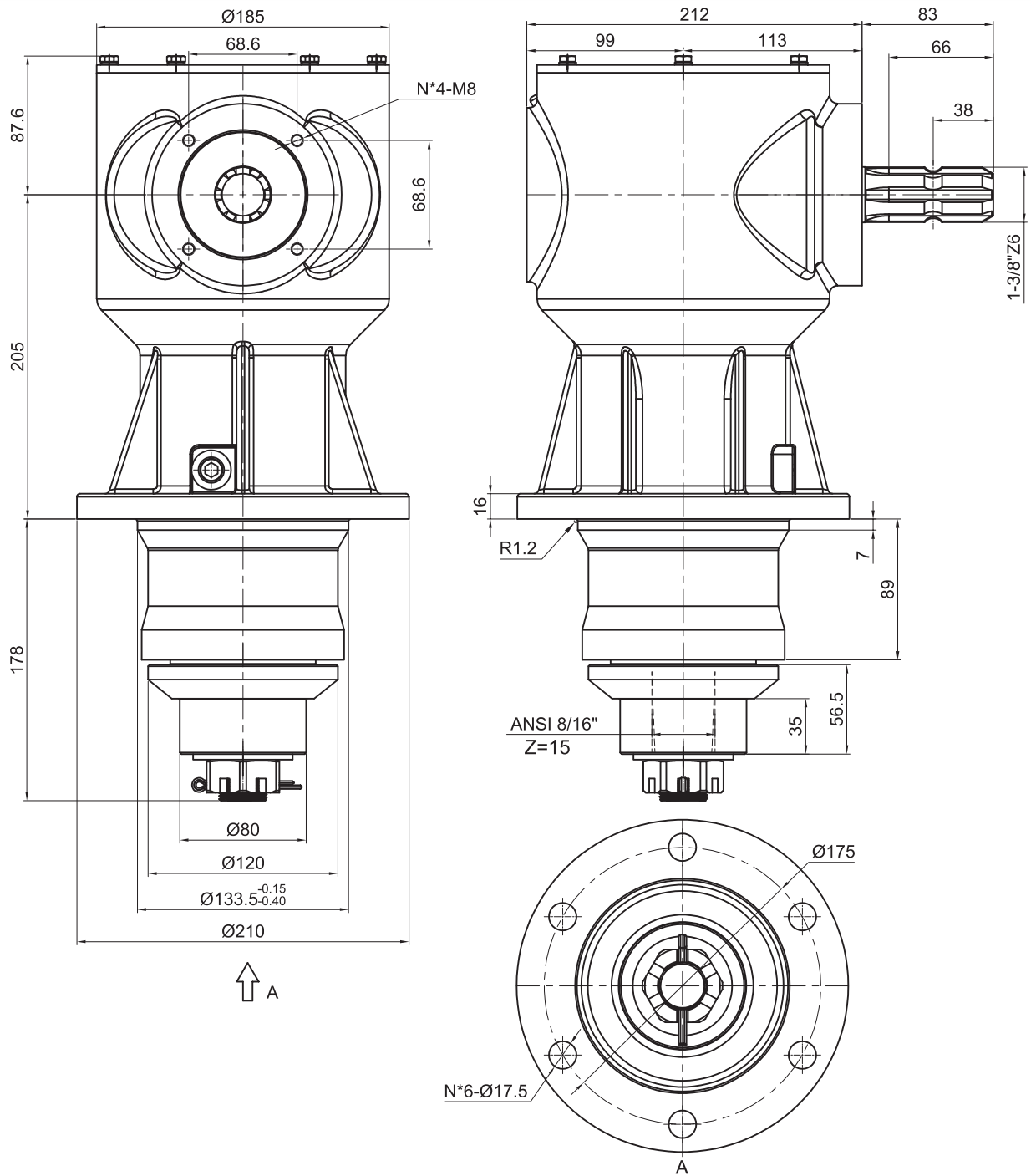
KLF3070



USE	RATIO	INPUT				OUTPUT	
		r.p.m	P Kw	M Hp	M N.m	M N.m	r.p.m
SPEED MULTIPLIER	1:1.92	540	48	65	845	440	1037
		1000	74	100	703	366	1920
	1:1.50	540	53	72	936	624	810
		1000	82	111	779	519	1500
	1:1.25	540	55	75	975	780	675
		1000	85	116	811	649	1250

Remark: If you have any special require feel free let me know, we also accept custom.

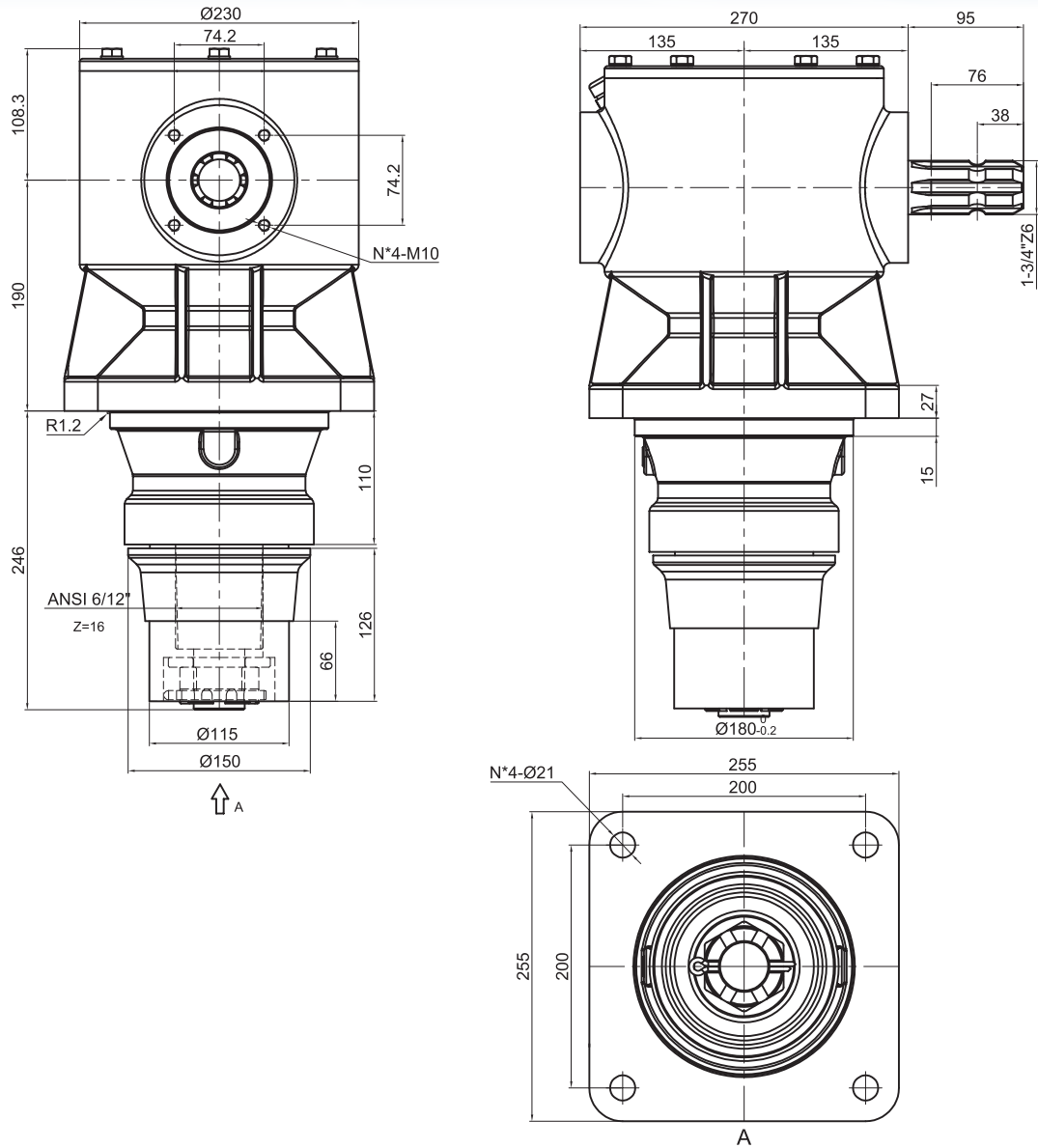
KLF3070-2



USE	RATIO	INPUT				OUTPUT	
		r.p.m	P	M	M	r.p.m	
SPEED MULTIPLIER	1:1.92	540	48	65	845	440	1037
		1000	74	100	703	366	1920
	1:1.50	540	53	72	936	624	810
		1000	82	111	779	519	1500
	1:1.25	540	55	75	975	780	675
		1000	85	116	811	649	1250

Remark: If you have any special require feel free let me know, we also accept custom.

KLF3100



USE	RATIO	INPUT			OUTPUT		
		r.p.m	P Kw	M Hp	M N.m	M N.m	r.p.m
SPEED MULTIPLIER	1:1.87	540	66	90	1170	626	1010
		1000	102	139	973	521	1870
	1:1.50	540	70	100	1300	867	810
1000		114	155	1082	721	1500	
1:1.25	540	77	105	1365	1092	675	
	1000	119	162	1136	908	1250	
1:1	540	81	110	1430	1430	540	
	1000	125	170	1190	1190	1000	
SPEED REDUCER	1.25:1	540	67	91	1183	1479	432
		1000	103	141	984	1230	800
	1.50:1	540	57	78	1014	1520	360
1000		89	121	844	1265	667	
1.87:1	540	43	58	754	1409	289	
	1000	66	90	627	1172	535	

Remark: If you have any special require feel free let me know, we also accept custom.

Together for a Shared Future



Hangzhou Kadiva Transmission Technology Co.,LTD.

Add : No.68, Hongtai 5th Road, Xiaoshan District, Hangzhou, Zhejiang

Tel : +86 0571 83692875

Fax: +86 0571 83691975

Sales Tel: +86 15168393838 +86 13588450288

E-mail: liu.xm@kadiva.cn zheng.yf@kadiva.cn

<http://www.hz-kadiva.com>